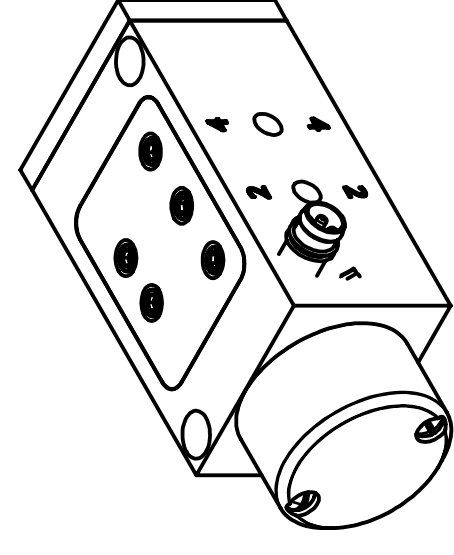
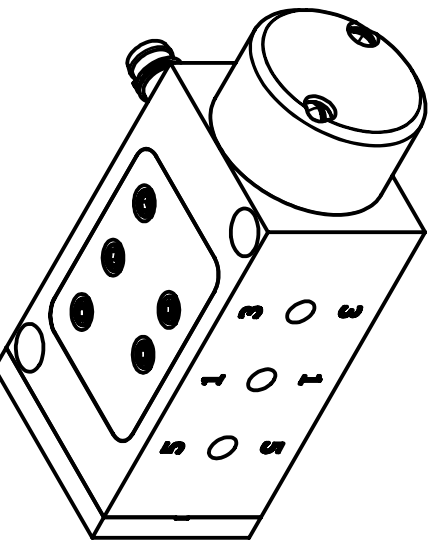
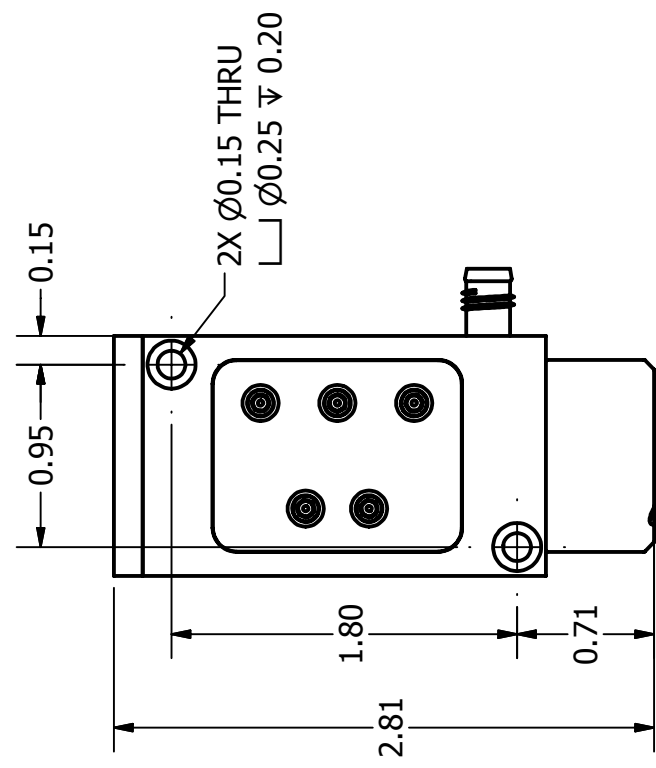


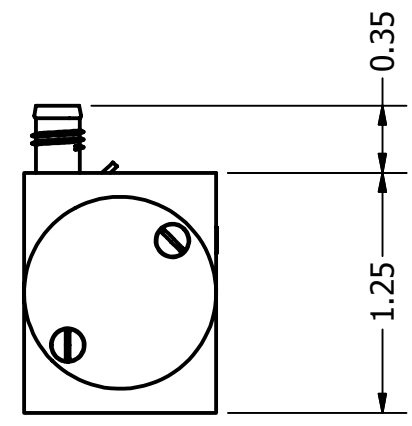
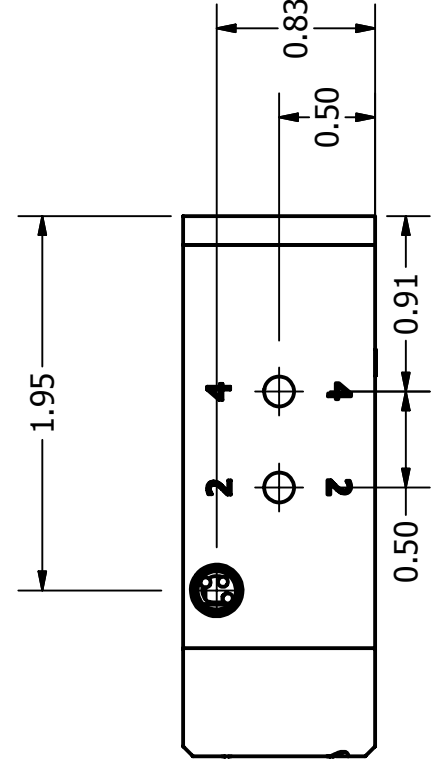
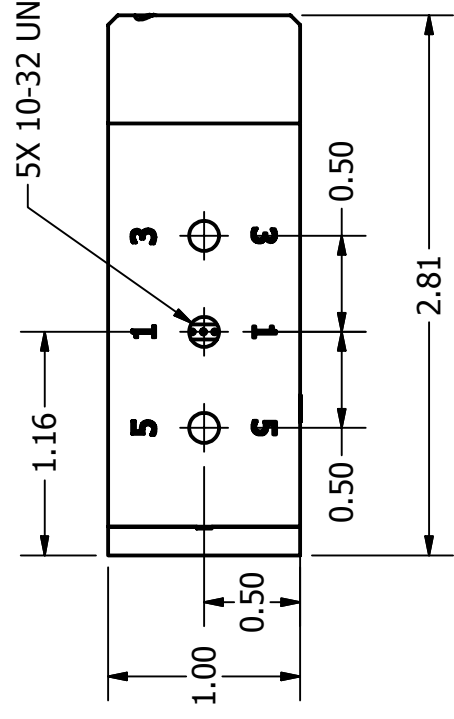
4 3 2 1

B B

A A



5X 10-32 UNF - 2B T 0.25



 Standard third angle projection	Part Number:	Description:	
	LS-V05C-204 (valve)	35 Nutmeg Drive	
Units: inch	Revision: R - C	Date: 3/23/2007	Trumbull, CT 06611 USA
<input checked="" type="checkbox"/> Break sharp edge <small>This information is proprietary to Enfield Technologies and may be further protected by trademarks, copyrights or patents.</small>	Material:	Finish:	203.375.3100
		Size: B	www.enfieldtech.com
		Sheet 2	of 2

4 3 2 1