

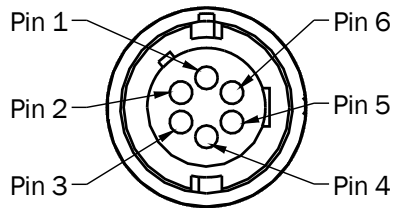
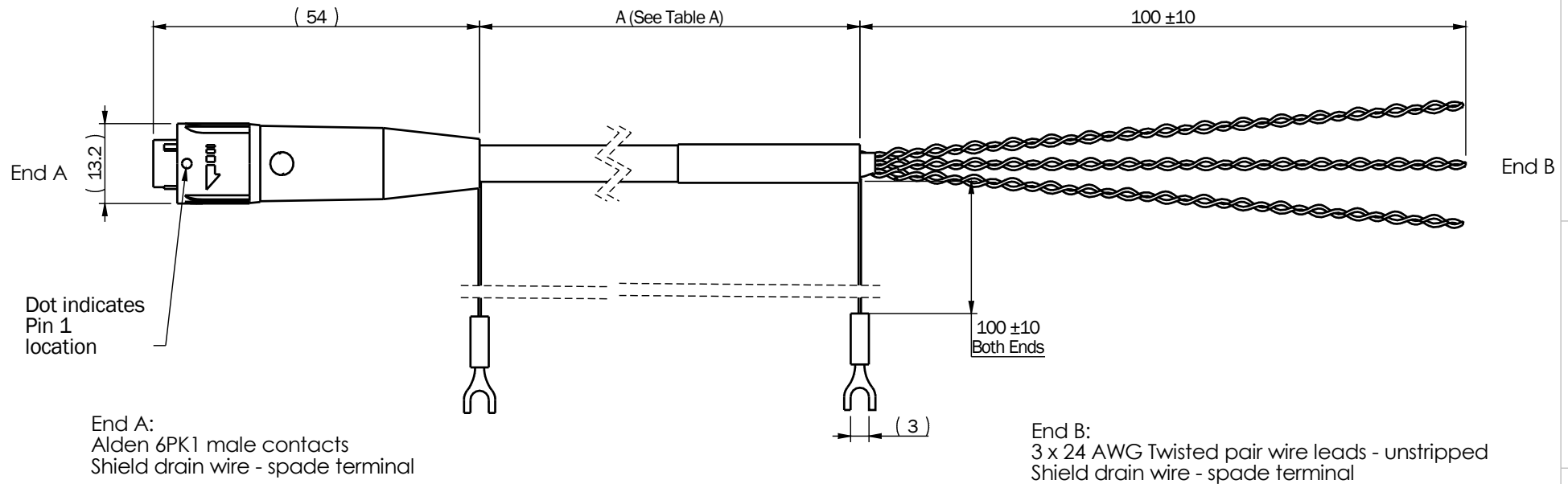
Notes:

Cable Specifications:

- Temperature Range: -20C ~ 80C
- Contact Current Rating: 2.4A
- Voltage Rating: 300V
- Contact Resistance: $\leq 6m\Omega$
- Certification: IP67

Material Specifications:

- Cable Jacket: Slate PVC cable per UL2464
- Cable Shielding: Aluminum/Mylar tape with drain
- Connector Housing: Grey Nylon 12
- Connector Terminals: Brass with gold plating
- Connector Overmold: Black Thermoplastic Rubber



Pin #	Wire	Twisted Pair
1	Red	Red/Black
2	Black	Red/Black
3	White	White/Black
4	Black	White/Black
5	Green	Green/Black
6	Black	Green/Black

Table A

Part Number	A (mm)	Rev
A-CBL-A1-06P-0200	2000 ± 20	A
A-CBL-A1-06P-0500	5000 ± 50	A
A-CBL-A1-06P-1000	10000 ± 100	A

Standard Third Angle Projection
Units: mm
Unless specified otherwise:
Refer to ISO 2768-mK for tolerances
Break Sharp Edges

Drawing Name: A-CBL-A1-06P-M-XXXX-OUTL
Alden 6PK1 male

Material: Finish: Drawn: B Nagel
Date: 04/12/13 Rev: A
Model: M2 Project:
Size: A Scale: 1:1 Sheet 1 of 1

ENFIELD TECHNOLOGIES
35 Nutmeg Drive
Trumbull, CT 06611
(203) 375-3100
www.enfieldtech.com
This information is proprietary to
Enfield Technologies and may be
further protected by trademarks,
copyrights, or patents.