

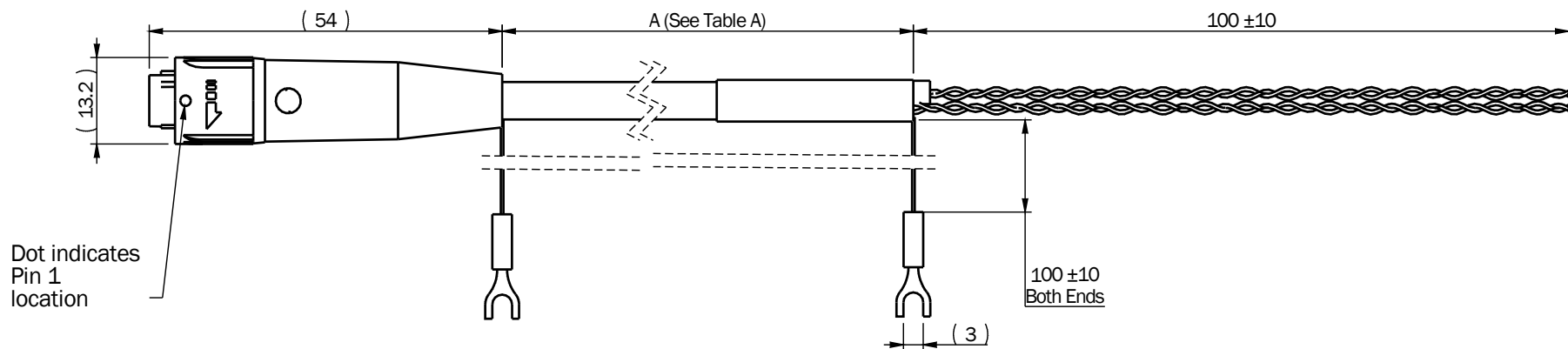
Notes:

Cable Specifications:

- Temperature Range: -20C ~ 80C
- Contact Current Rating: 2.4A
- Voltage Rating: 300V
- Contact Resistance: $\leq 6m\Omega$
- Certification: IP67

Material Specifications:

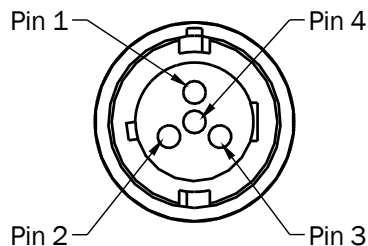
- Cable Jacket: Slate PVC cable per UL2464
- Cable Shielding: Aluminum/Mylar tape with drain
- Connector Housing: Grey Nylon 12
- Connector Terminals: Brass with gold plating
- Connector Overmold: Black Thermoplastic Rubber



Dot indicates Pin 1 location

End A:
Alden 4PK3 male contacts
Shield drain wire - spade terminal

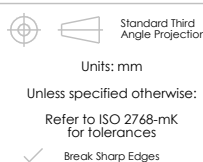
End B:
2 x 24 AWG Twisted pair wire leads - unstripped
Shield drain wire - spade terminal



Pin #	Wire	Twisted Pair
1	Red	Red/Black
2	Black	Red/Black
3	White	White/Black
4	Black	White/Black

Table A

Part Number	A (mm)	Rev
A-CBL-A3-04P-0200	2000 ± 20	A
A-CBL-A3-04P-0500	5000 ± 50	A
A-CBL-A3-04P-1000	10000 ± 100	A



Drawing Name: A-CBL-A3-04P-M-XXXX-OUTL
Alden 4PK3 male

Material:	Finish:	Drawn: B Nagel	Rev: A
		Date: 04/12/13	Project:
		Model: M2	Project:
		Size: A	Scale: 1:1
			Sheet 1 of 1

ENFIELD TECHNOLOGIES
35 Nutmeg Drive
Trumbull, CT 06611
(203) 375-3100
www.enfieldtech.com
This information is proprietary to Enfield Technologies and may be further protected by trademarks, copyrights, or patents.