

5

4

3

2

1

Note:

- 1. Block can be secured using (2) M4 or #8 socket head cap screws from top side or (2) M6 screws from underside.

DCN: DCN-0281	Change: Create new drawing from configured model	Changed: 8/26/2016 R Rau	Approved: - -
------------------	---	-----------------------------	------------------

A

B

C

D

E

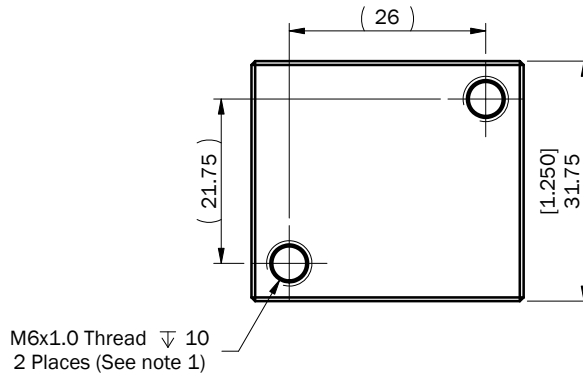
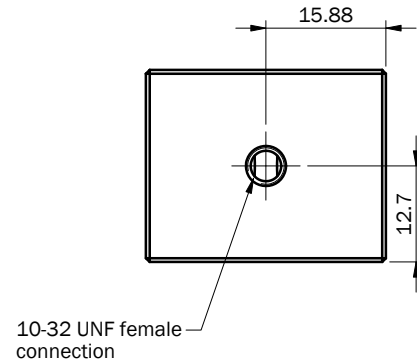
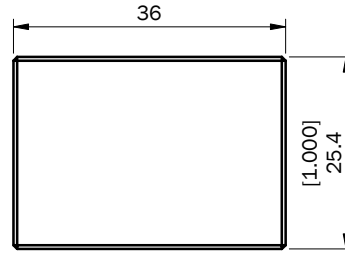
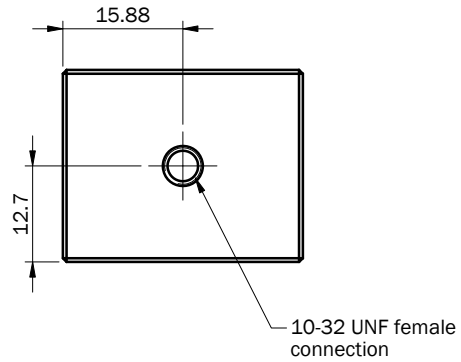
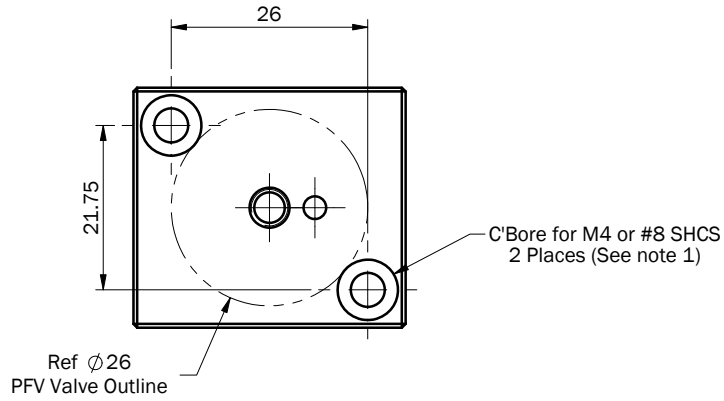
A

B

C

D

E



<p>Standard Third Angle Projection Units: mm Unless specified otherwise: Refer to ISO 2768-mK for tolerances Break Sharp Edges</p>	Drawing Name: A-MFD-01-001-OUTL		<p>35 Nutmeg Drive Trumbull, CT 06611 (203) 375-3100 www.enfieldtech.com <small>This information is proprietary to Enfield Technologies and may be further protected by trademarks, copyrights, or patents.</small></p>	
	Material: Stainless Steel 303		Finish: Passivate	
	AISI/SAE		ASTM B912	
	Model: PFV	Project:	Drawn: R Rau	Rev: A
Size: A	Scale: 1:1	Sheet 1 of 1		

4

3

2

1