

5

4

3

2

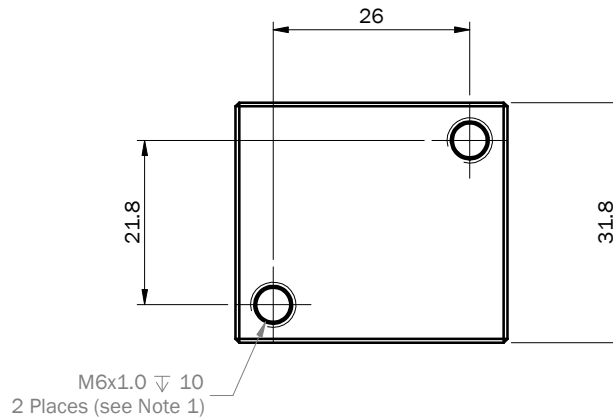
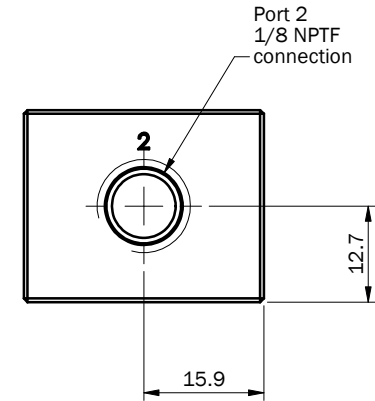
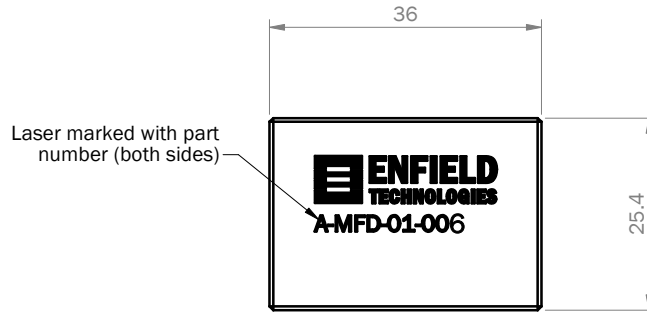
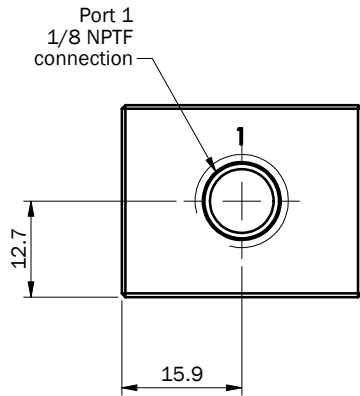
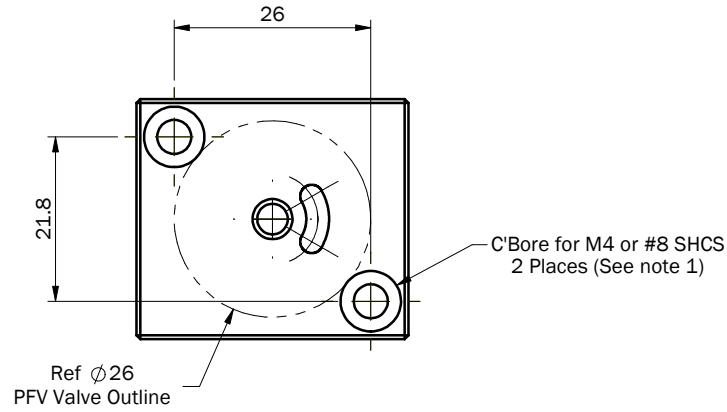
1

Note:  
 1. Block can be secured using (2) M4 or #8 socket head cap screws from top side or (2) M6 screws from underside.

DCN: DCN-0489  
 Change: Release to Production

Changed: 8/26/2016  
 S Wilhelm

Approved: 02/16/21  
 J Gamble



Standard Third Angle Projection  
 Units: mm  
 Unless specified otherwise:  
 Refer to ISO 2768-mK for tolerances  
 Break Sharp Edges

Drawing Name: A-MFD-01-006-OUTL  
 Manifold Block PFV 1 Valve 1/8 NPT Ports

Material: Stainless Steel 303  
 AISI/SAE  
 Finish: Passivated & Electropolished  
 ASTM B912

Drawn: S Wilhelm  
 Date: 01/18/21  
 Model: PFV  
 Size: A  
 Scale: 1:1  
 Rev: A  
 Project:  
 Sheet 1 of 1

**ENFIELD TECHNOLOGIES**  
 50 Waterview Drive  
 Shelton, CT 06484  
 (203) 375-3100  
 www.enfieldtech.com  
 This information is proprietary to Enfield Technologies and may be further protected by trademarks, copyrights, or patents.

4

3

2

1