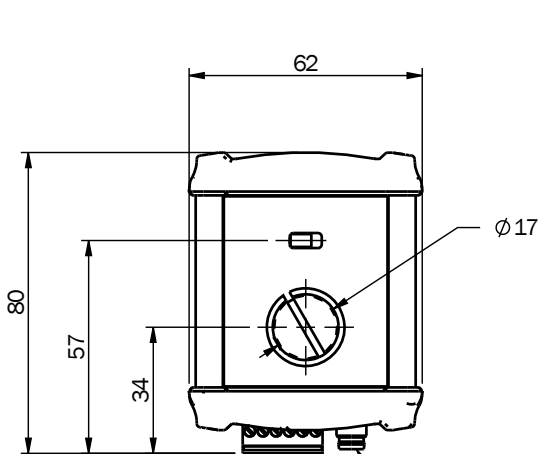


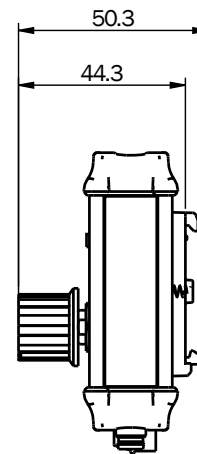
Note:

- 1 Pluggable Connector:
 - Use solid or stranded wire
 - AWG 28-16
 - Wire strip length = 7mm
- 2 Din rail mount
 - Mount on 35mm x 7.5mm din rail
 - REF: EN 50022 Standard
- 3 M8 x 1.0mm connector compatible with Enfield Technologies Cable: A-CBL-M8-03P-F-XXXX
- 4 Refer to ASG-1 user manual for setup and operating instructions

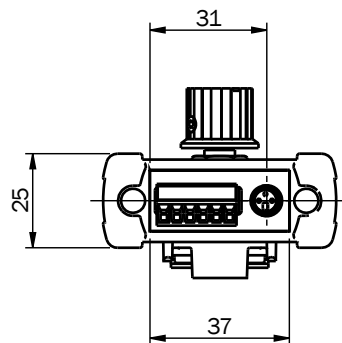


Pluggable connector
See Note 1

M8 x 1.0mm Male contacts
circular connector
See Note 3



Din rail mount
See Note 2



Standard Third Angle Projection
 Units: mm
 Unless specified otherwise:
 Refer to ISO 2768-mK for tolerances
 Break Sharp Edges

Drawing Name:		ASG-1-OUTL Analog Signal Source	
Material:	Finish:	Drawn: B Nagel	Rev: A
		Date: 05/21/13	Project:
Model: ASG-1	Project:	Size: A	Scale: 1:2
		Sheet 1 of 1	

35 Nutmeg Drive
 Trumbull, CT 06611
 (203) 375-3100
www.enfieldtech.com
This information is proprietary to Enfield Technologies and may be further protected by trademarks, copyrights, or patents.