

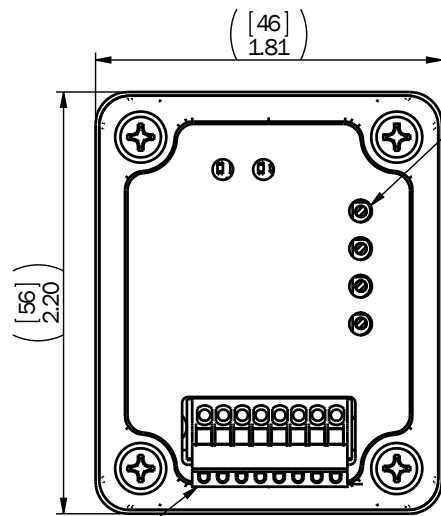
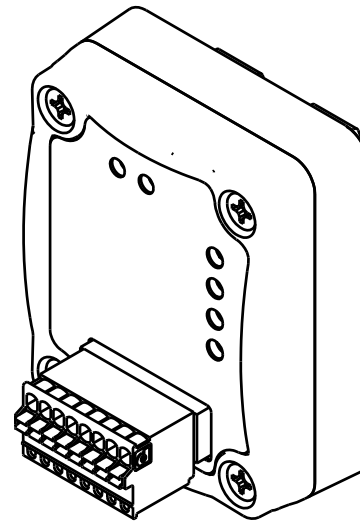
DCN: DCN-0109 Change: Added missing shipping components to BOM

Changed: 02/05/14 B Nagel

Approved: 12/5/12 J Gamble

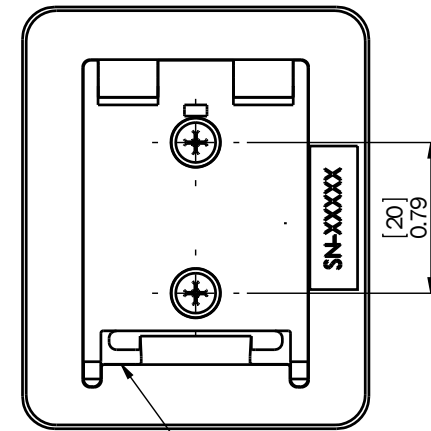
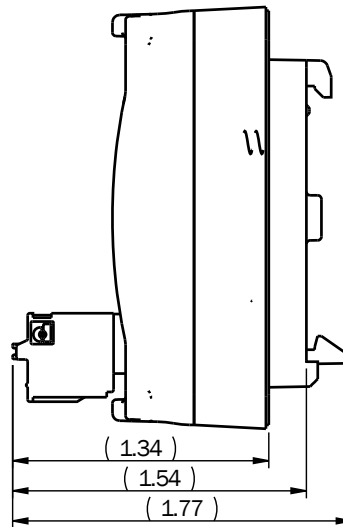
Note:

- 1 Potentiometers:
 - Use slotted polymer non-conductive ESD screwdriver
 - Blade width 0.050" max
- 2 Pluggable connector:
 - Use solid or stranded wire
 - AWG 20-26
 - Wire strip length = 8 - 12mm
- 3 Din rail mount
 - Mount on 35mm x 7.5mm din rail
 - REF: EN 50022 Standard
- 4 Refer to C1 user manual for setup and operating instructions



Pluggable connector see note 2

4 x potentiometer adjust see note 1



Din rail mount see note 3

Standard Third Angle Projection
 Units: inch
 Unless specified otherwise:
 0.00 = ±0.010
 0.000 = ±0.005
 0.0000 = ±0.0005
 Angles = ±0.5°
 Break Sharp Edges

| | | | |
|-----------------------|--------------|---------------------------------|--------------|
| Drawing Name: C1-OUTL | | Digital controller & PWM driver | |
| Material: None | Finish: None | Drawn: B Nagel | Rev: C |
| Model: C1 | Project: | Date: 01/01/12 | Sheet 1 of 1 |
| Size: A | Scale: 1:1 | | |

ENFIELD TECHNOLOGIES
 35 Nutmeg Drive
 Trumbull, CT 06611
 (203) 375-3100
 www.enfieldtech.com
This information is proprietary to Enfield Technologies and may be further protected by trademarks, copyrights, or patents.