

A

B

C

D

E

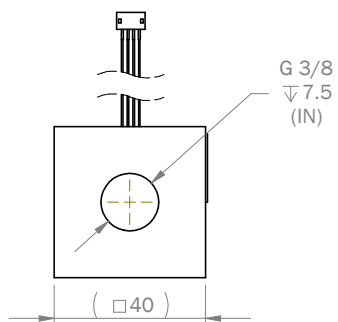
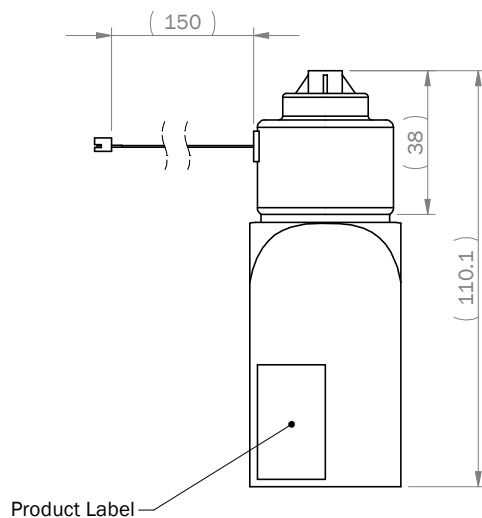
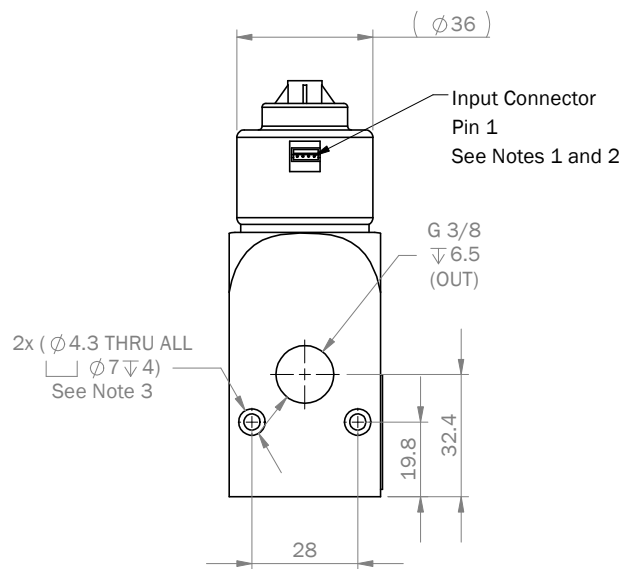
A

B

C

D

E



Notes:

1. Input Connector pinout is as follows:

Pin	1	2	3	4
Wire Color	White	Green	Black	Red
Function	B-	B+	A-	A+

- 2. Mating connector (housing) is JST ZHR-4
- 3. Recommended mounting screws M4x45 SHCS or equivalent.
- 4. Compatible valve driver D5-05-U01.

Standard Third Angle Projection  
Units: mm

Unless Specified Otherwise Refer to ISO 2768-mK for tolerances

Break Sharp Edges

Drawing Name: ENV-0670-OUTL  
Motorized Needle Valve Outline Drawing

Material: N/A	Finish: N/A	Drawn: E Schonenberg
Date: 05/20/2022	Rev: A	Model: ENV
Size: A	Scale: 1:2	Project: PR-1062G
Sheet 1 of 1		

**ENFIELD TECHNOLOGIES**  
35 Nutmeg Drive  
Trumbull, CT 06611  
(203) 375-3100  
www.enfieldtech.com

This information is proprietary to Enfield Technologies and may be further protected by trademarks, copyrights, or patents.