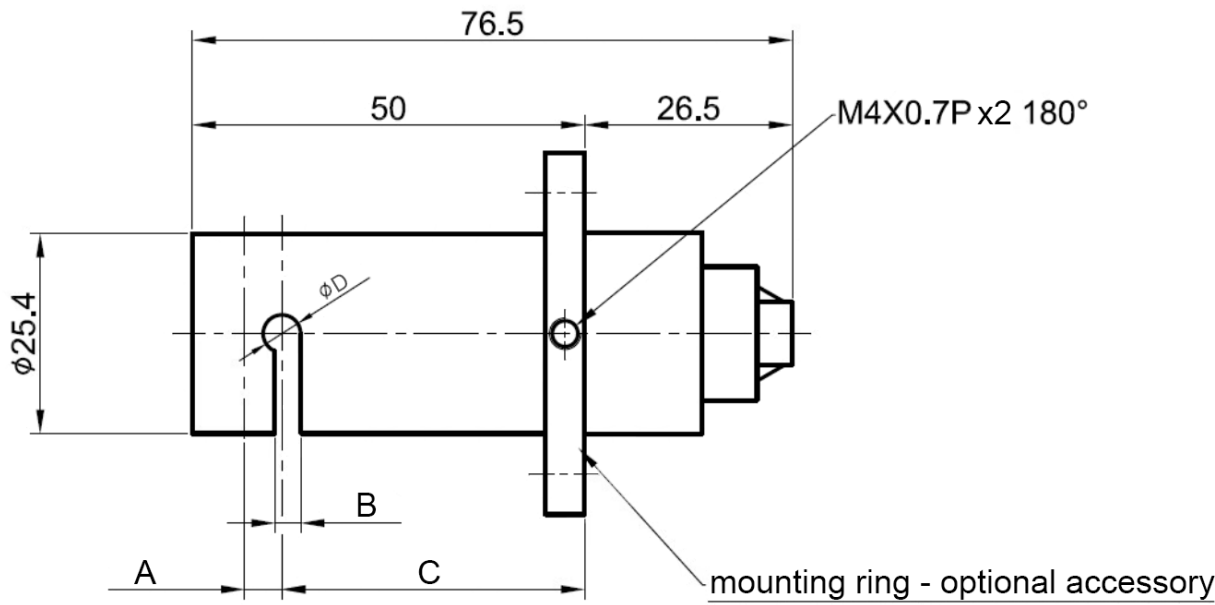
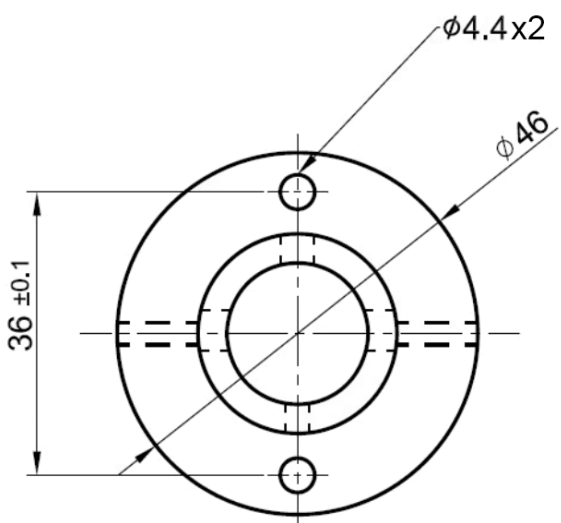


Note:

DCN: DCN-XXXX	Change: xxx	#	Changed: 05/17/21	Approved: -
------------------	----------------	---	-------------------	----------------



	A	B	C	D
EQV-0048	4.75	3.3	38.6	4.8
EQV-0060	5.35	5.0	40.2	6.0
EQV-0080	6.35	6.0	41.2	8.0

<p>Standard Third Angle Projection</p> <p>Units: mm Unless specified otherwise: Refer to ISO 2768-mK for tolerances</p> <p>✓ Break Sharp Edges</p>	<p>Drawing Name: EQV-00XX Series Proportional Pinch Valves</p>		<p>35 Nutmeg Drive Trumbull, CT 06611 (203) 375-3100 www.enfieldtech.com</p> <p><small>This information is proprietary to Enfield Technologies and may be further protected by trademarks, copyrights, or patents.</small></p>	
	Material: -	Finish: -	Drawn: -	Rev: A
	AISI/SAE	ASTM	Date: 05/17/21	Project: -
			Size: A	Scale: 1:1 Sheet 1 of 1