

5

4

3

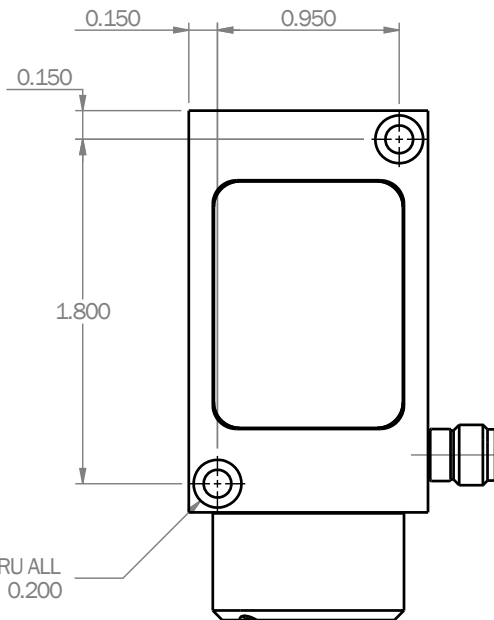
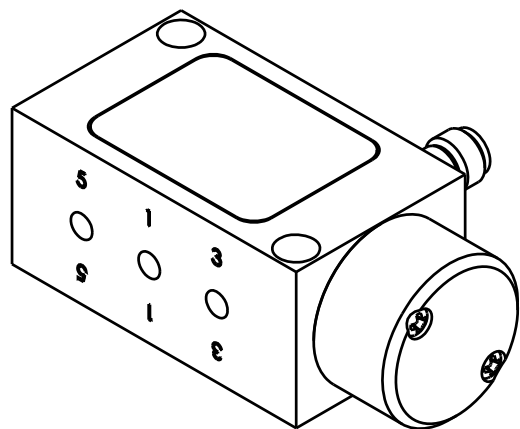
2

1

DCN: DCN0106 Change: Re-drawn in solidworks

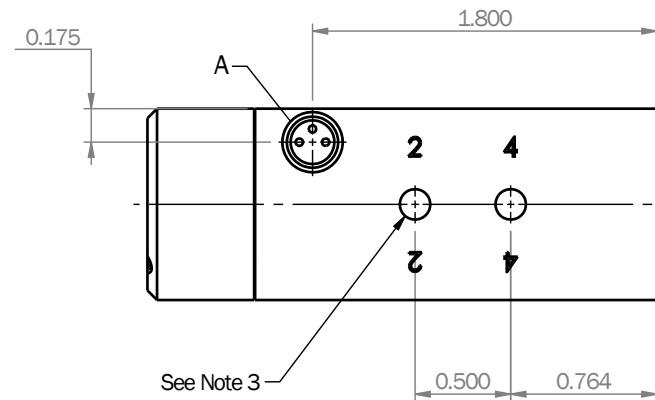
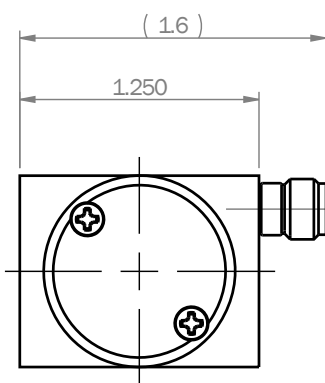
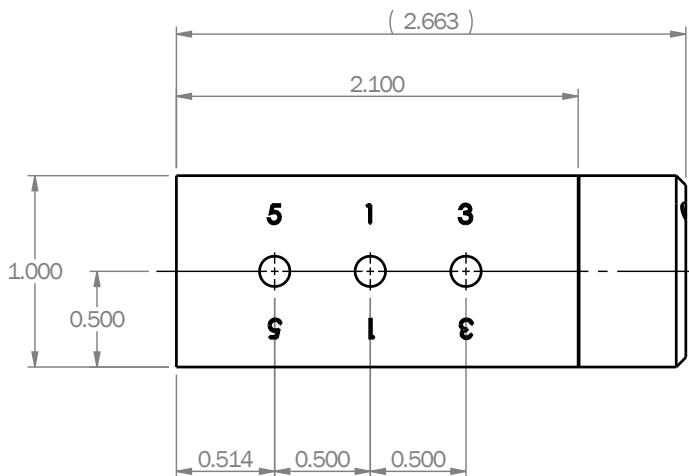
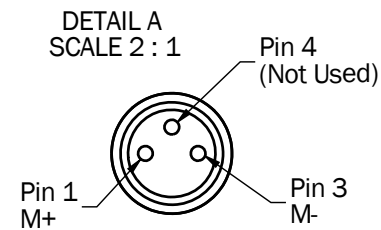
Changed: 02/03/14 B Nagel

Approved: 02/28/14 J Gamble



Notes:

- 1. Refer to LS-V05s operating manual for wiring setup & operating procedures.
- 2. M8 x 1mm connector compatible with Enfield Technologies Cable: A-CBL-M8-03P-F-XXXX
- 3. All pneumatic connections: 10-32 UNF - 2B.
- 4. Recommended mounting screws: 6-32 x 1.25 SHCS



5

4

3

2

1

Standard Third Angle Projection
Units: inch
Unless specified otherwise:
0.00 = ±0.010
0.000 = ±0.005
0.0000 = ±0.0005
Angles = ±0.5°
Break Sharp Edges

Drawing Name:

LS-V05s-OUTL
High-speed proportional valve

Material: N/A

Finish: N/A

Drawn: B Grabowski

Date: 10/29/13

Rev: B

Model: V05

Project:

Size: A

Scale: 1:1

Sheet 1 of 1

ENFIELD TECHNOLOGIES
35 Nutmeg Drive
Trumbull, CT 06611
(203) 375-3100
www.enfieldtech.com
This information is proprietary to Enfield Technologies and may be further protected by trademarks, copyrights, or patents.