

5

4

3

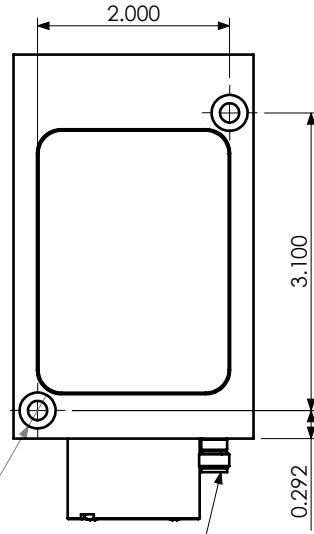
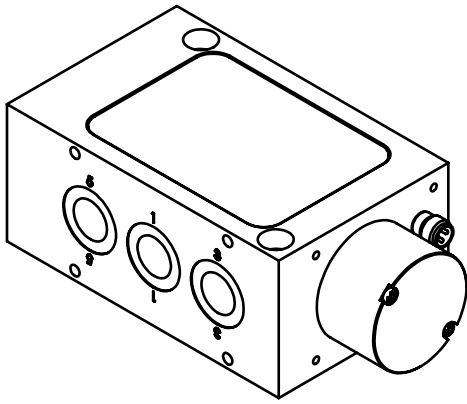
2

1

DCN: Change:
New version of body; pictorial drawing change

Changed:
04/18/13 B Nagel

Approved:

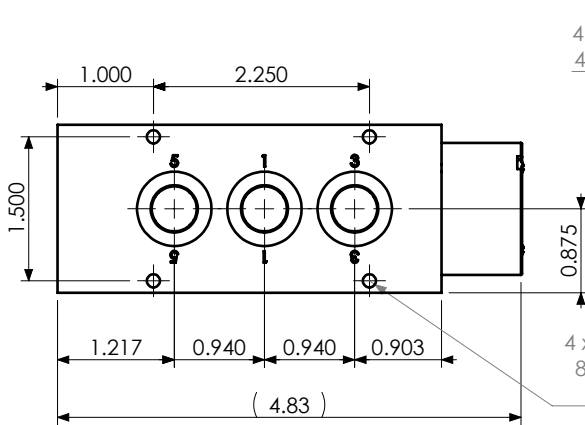
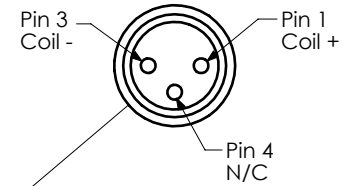


Notes:

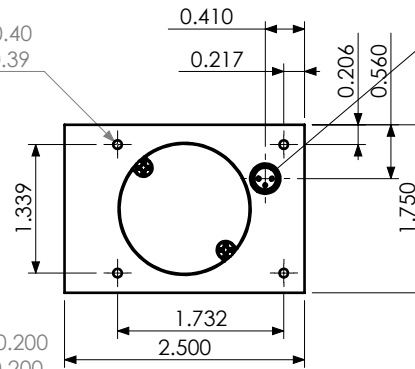
1. Refer to LS-V25s operating manual for wiring setup & operating procedures
2. M8 x 1.0 mm connector compatible with Enfield Technologies Cable: A-CBL-M8-03P-F-XXXX
3. All pneumatic connections 1/4 NPTF
4. Recommended mounting screws 10-32 x 2.00" SHCS

M8X1.0 Male Contacts
circular connector
(see note 2)

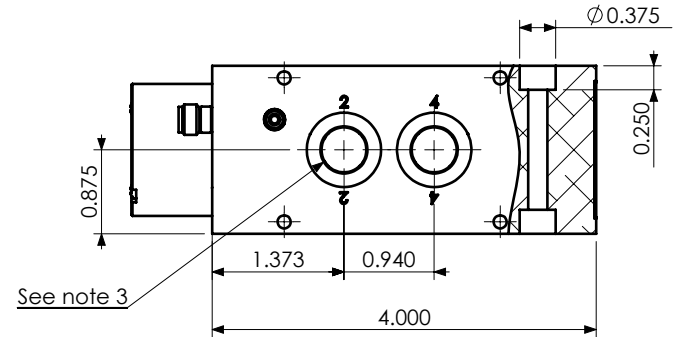
DETAIL B
SCALE 2 : 1



4 x ϕ 0.09 ∇ 0.40
4-40 UNC ∇ 0.39



4 x ϕ 0.136 ∇ 0.200
8-32 UNC ∇ 0.200
both sides



A

B

C

D

E

A

B

C

D

E

Standard Third Angle Projection
Units: inch
Unless specified otherwise:
0.00 = \pm 0.010
0.000 = \pm 0.005
0.0000 = \pm 0.0005
Angles = \pm 0.5°
Break Sharp Edges

Drawing Name: LS-V25s-OUT High-speed proportional valve		Drawn: Admin	Date: 12/18/12	Rev: B
Material:	Finish:	Model: LS-V25	Project:	Size: A Scale: 1:2 Sheet 1 of 1

ENFIELD TECHNOLOGIES
35 Nutmeg Drive
Trumbull, CT 06611
(203) 375-3100
www.enfieldtech.com
This information is proprietary to Enfield Technologies and may be further protected by trademarks, copyrights, or patents.

5

4

3

2

1