

5

4

3

2

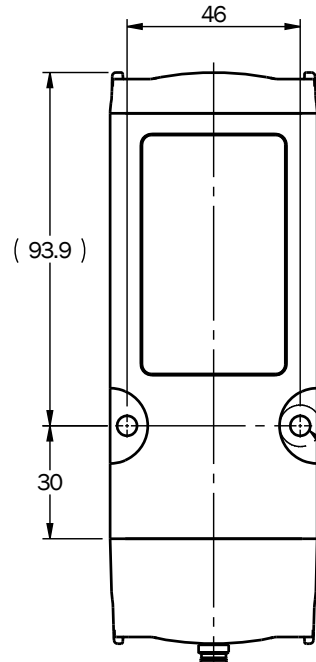
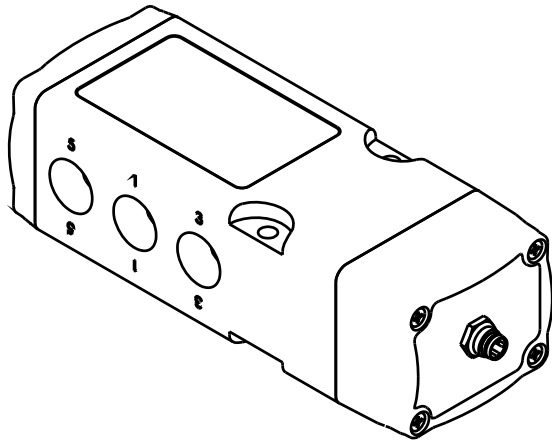
1

DCN:
DCN0246

Change:
Added new packaging.

Changed:
06/19/15 T Das

Approved:
- - -

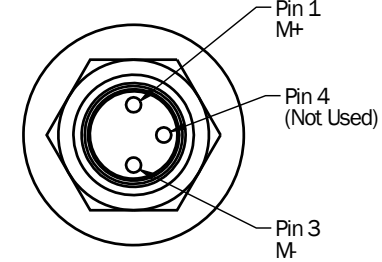


Notes:

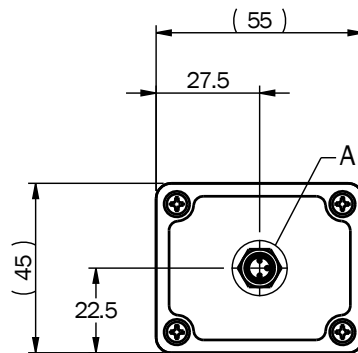
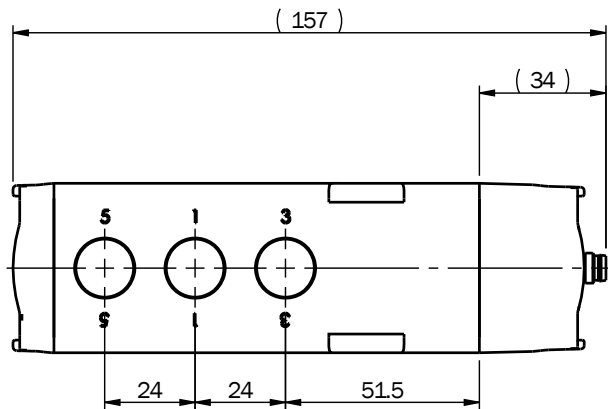
1. Refer to M2s operating manual for wiring setup & operating procedures.
2. M8 x 1mm connector compatible with Enfield Technologies Cable: A-CBL-M8-03P-F-XXXX
3. All pneumatic connections 3/8" NPTF.
4. Recommended mounting screws: 10-32 X 2.00" SHCS

2x $\phi 5.30^{+0.20}_{0.00}$ THRU ALL
 $\square \phi 11 \text{ MAX } \nabla 5$
 (See: Note 4)

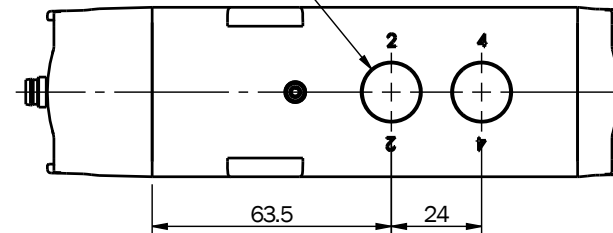
DETAIL A
SCALE 2 : 1



M8x1.0 Male Contacts
(See: Note 2)



See: Note 3



Standard Third Angle Projection
 Units: mm
 Unless specified otherwise:
 Refer to ISO 2768-mK for tolerances
 Break Sharp Edges

Drawing Name:		M2s-OUT	
Material:		High-speed proportional valve	
N/A	Finish:	Drawn: B Grabowski	Rev: B
	N/A	Date: 10/09/13	Project:
Model: M2		Size: A	Scale: 1:2
		Sheet 1 of 1	

ENFIELD TECHNOLOGIES
 35 Nutmeg Drive
 Trumbull, CT 06611
 (203) 375-3100
 www.enfieldtech.com
This information is proprietary to Enfield Technologies and may be further protected by trademarks, copyrights, or patents.

5

4

3

2

1

A

B

C

D

E

A

B

C

D

E