

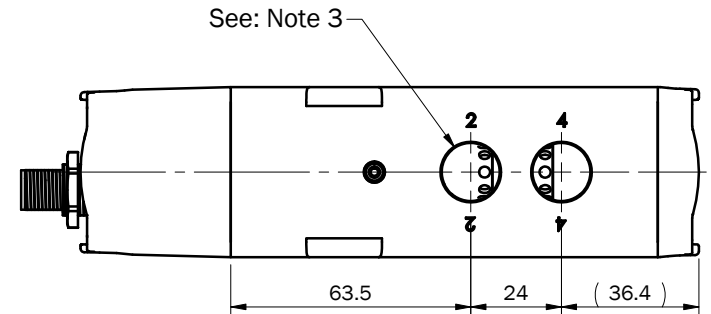
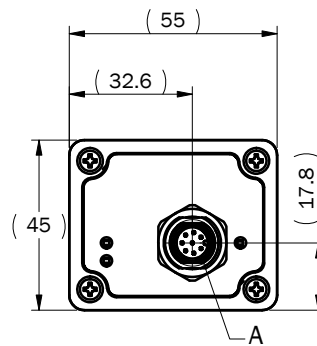
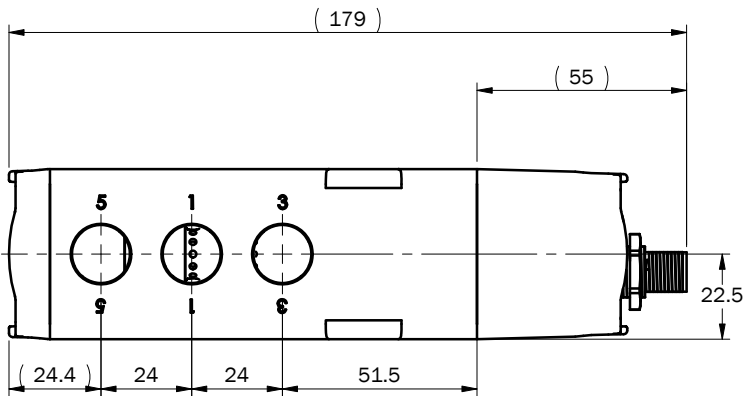
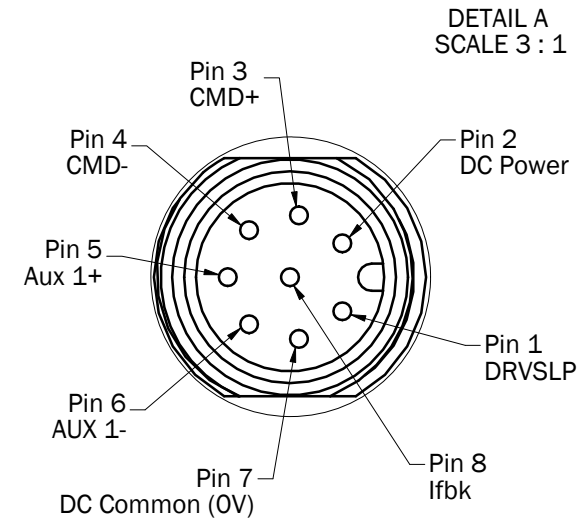
- Notes:
1. Refer to M4d operating manual for wiring setup and operating procedures.
 2. M12 Connection compatible with Enfield Technologies Cable Series A-CBL-M12-08P-F
 3. All pneumatic connections are 3/8" NPTF.
 4. Recommended mounting screws: 10-32 X2.00" SHCS.

Part Number Key

M4d-031-XXX

Command Input
 b01 = +/-10VDC
 b05 = +/- 5VDC
 i02 = 0-20mA
 i04 = 4-20mA
 u01 = 0-10VDC
 u05 = 0-5VDC

2 x ϕ 5.30^{+0.20}/_{0.00} THRU ALL
 \square ϕ 11 MAX ∇ 5
 (See: Note 4)



Standard Third Angle Projection
 Units: mm
 Unless specified otherwise:
 Refer to ISO 2768-mK for tolerances
 Break Sharp Edges

Drawing Name: **M4d-031-XXX-OUTL**
High Speed Proportional Valve with Integrated Driver

Material: N/A	Finish: N/A	Drawn: S Wilhelm	Rev: A
Date: 05/07/18	Project:		
Size: A	Scale: 1:2	Sheet 1 of 1	

ENFIELD TECHNOLOGIES
 35 Nutmeg Drive
 Trumbull, CT 06611
 (203) 375-3100
 www.enfieldtech.com
This information is proprietary to Enfield Technologies and may be further protected by trademarks, copyrights, or patents.