

DCN:
DCN-0238

Change:
Initial Release

Changed:
02/20/15 B Nagel

Approved:
- -

A

B

C

D

E

A

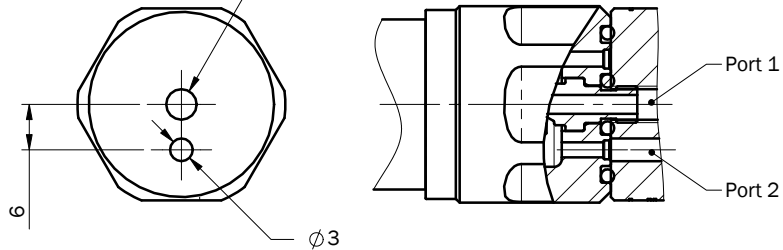
B

C

D

E

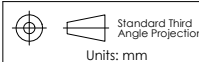
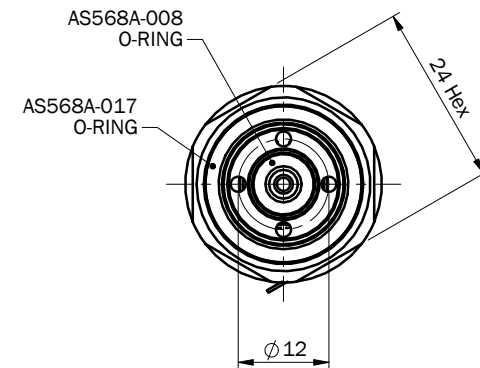
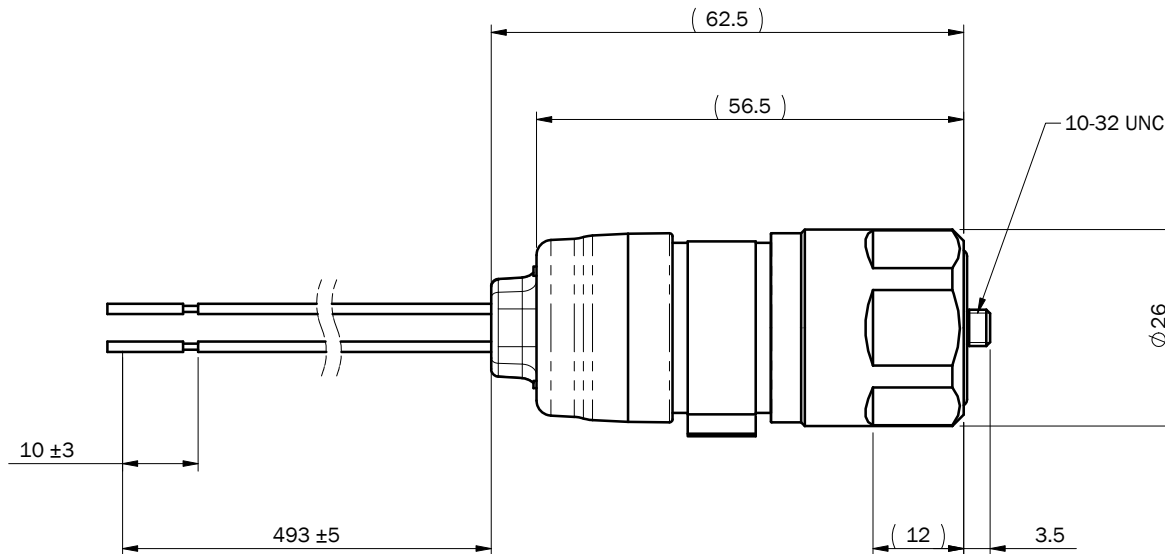
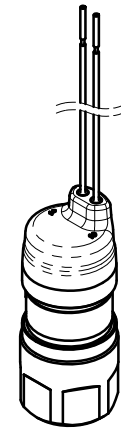
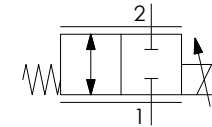
10-32 UNF - 2B ∇ 4.0
MIN LENGTH FULL THREAD



DETAIL A:
RECOMMENDED MOUNTING

Notes:

1. Refer to PFV-WXX-MXXX-X Operating Manual for Wiring Setup & Operating Procedures
2. Pneumatic Connections & Mounting
 - Refer to DETAIL A for recommended mounting & pneumatic connections
3. Electrical Connections
 - Black 22 AWG 493 ±5 Flying Leads
4. Environmental Specification
 - Operating Temperature -20° to 50° C



Unless specified otherwise:
Refer to ISO 2768-mK
for tolerances

✓ Break Sharp Edges

Drawing Name: PFV-WXX-MXXX-X-OUTL
Proportional 2-Way Seat Valve

Material: N/A

Finish: N/A

Drawn: B Nagel
Date: 10/17/14 Rev: 02.01

Model: Custom Project: PR-1044D

Size: A Scale: 1:1 Sheet 1 of 1



50 Waterview Drive
Shelton, CT 06484
(203) 375-3100
www.enfieldtech.com
This information is proprietary to
Enfield Technologies and may be
further protected by trademarks,
copyrights, or patents.