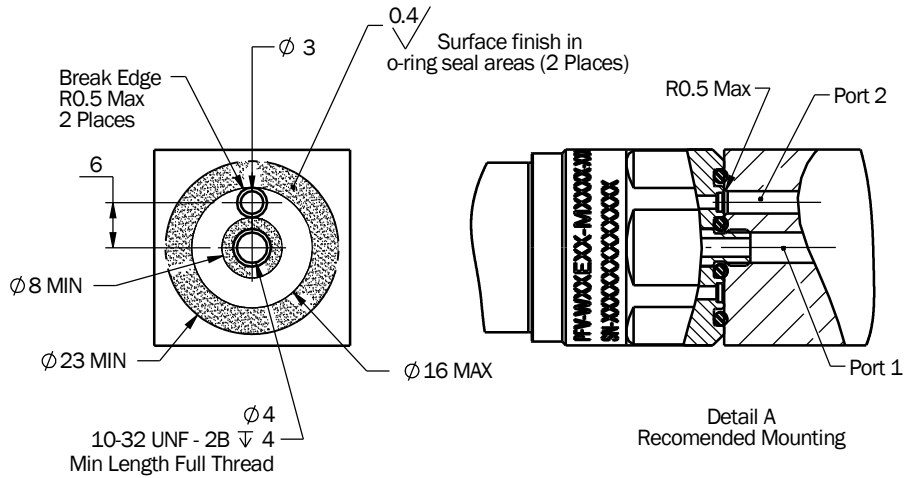
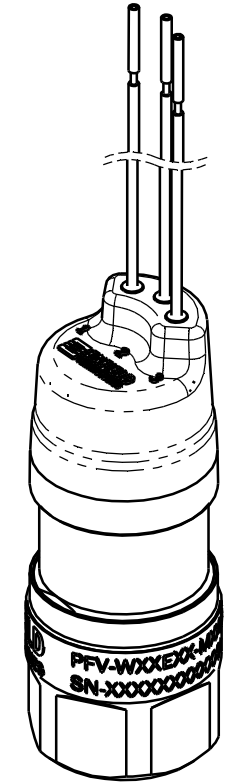
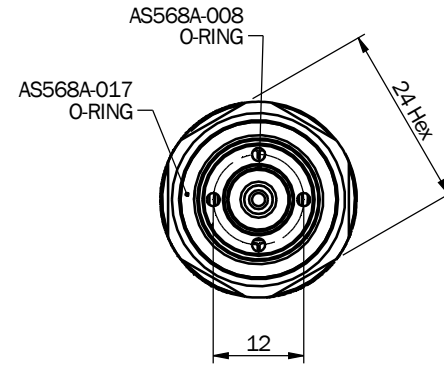
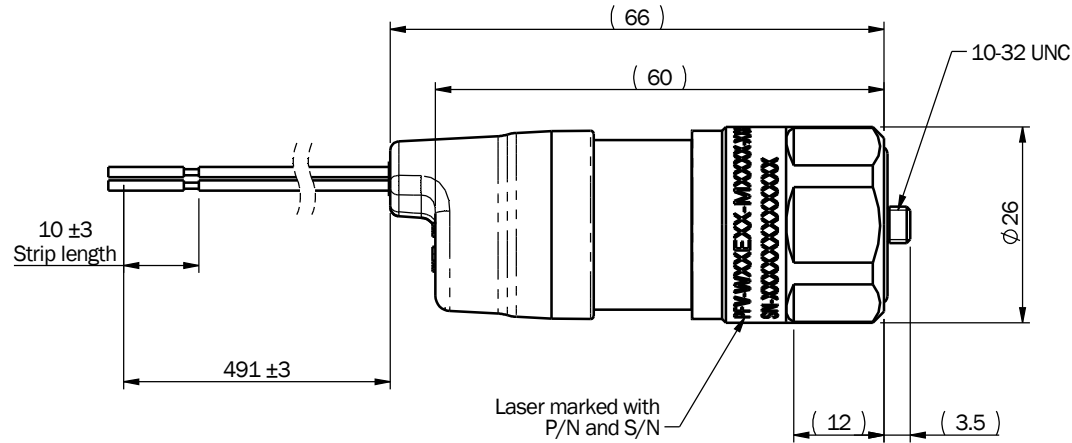
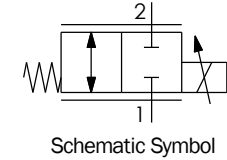


A
B
C
D
E

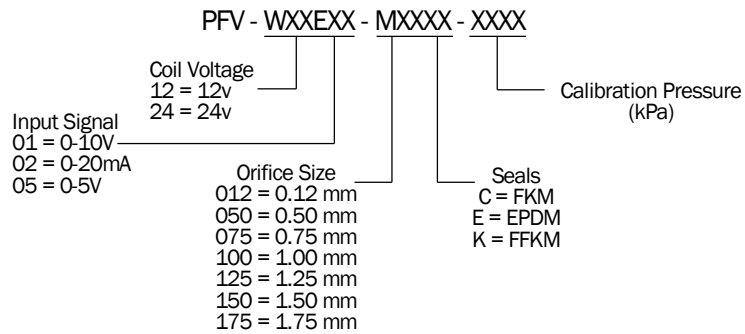
A
B
C
D
E



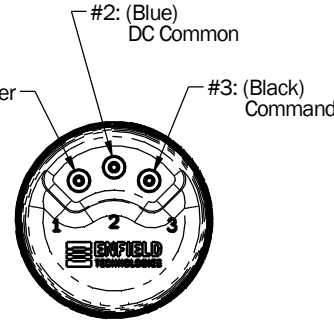
- Notes:
1. Refer to PFV-WXXEXX-MXXXX-XXXX Operating Manual for Wiring Setup & Operating Procedures
 2. Pneumatic Connections & Mounting
 - Refer to DETAIL A for recommended mounting & pneumatic connections
 3. Electrical Connections
 - Black 22 AWG 493 ±5 Flying Leads
 4. Environmental Specification
 - Operating Temperature -20° to 50°C



Part number key:



Electrical connections (see part number key for specific voltage and signal levels)



Standard Third Angle Projection Units: mm Unless specified otherwise: Refer to ISO 2768-mK for tolerances Break Sharp Edges	Drawing Name: PFV-WXXEXX-MXXXX-XXXX Proportional 2-Way Seat Valve		ENFIELD TECHNOLOGIES 50 Waterview Drive Shelton, CT 06484 (203) 375-3100 www.enfieldtech.com This information is proprietary to Enfield Technologies and may be further protected by trademarks, copyrights, or patents.	
	Material: N/A	Finish: N/A	Drawn: M Klingel Date: 01/20/17 Model: Custom Size: A	Rev: B01 Project: PR-1044D Scale: 1:1 Sheet 1 of 1