

5

4

3

2

1

DCN:  
DCN-0098

Change:

Changed:  
10/01/13 B Nagel

Approved:  
01/30/14 J Gamble

A

B

C

D

E

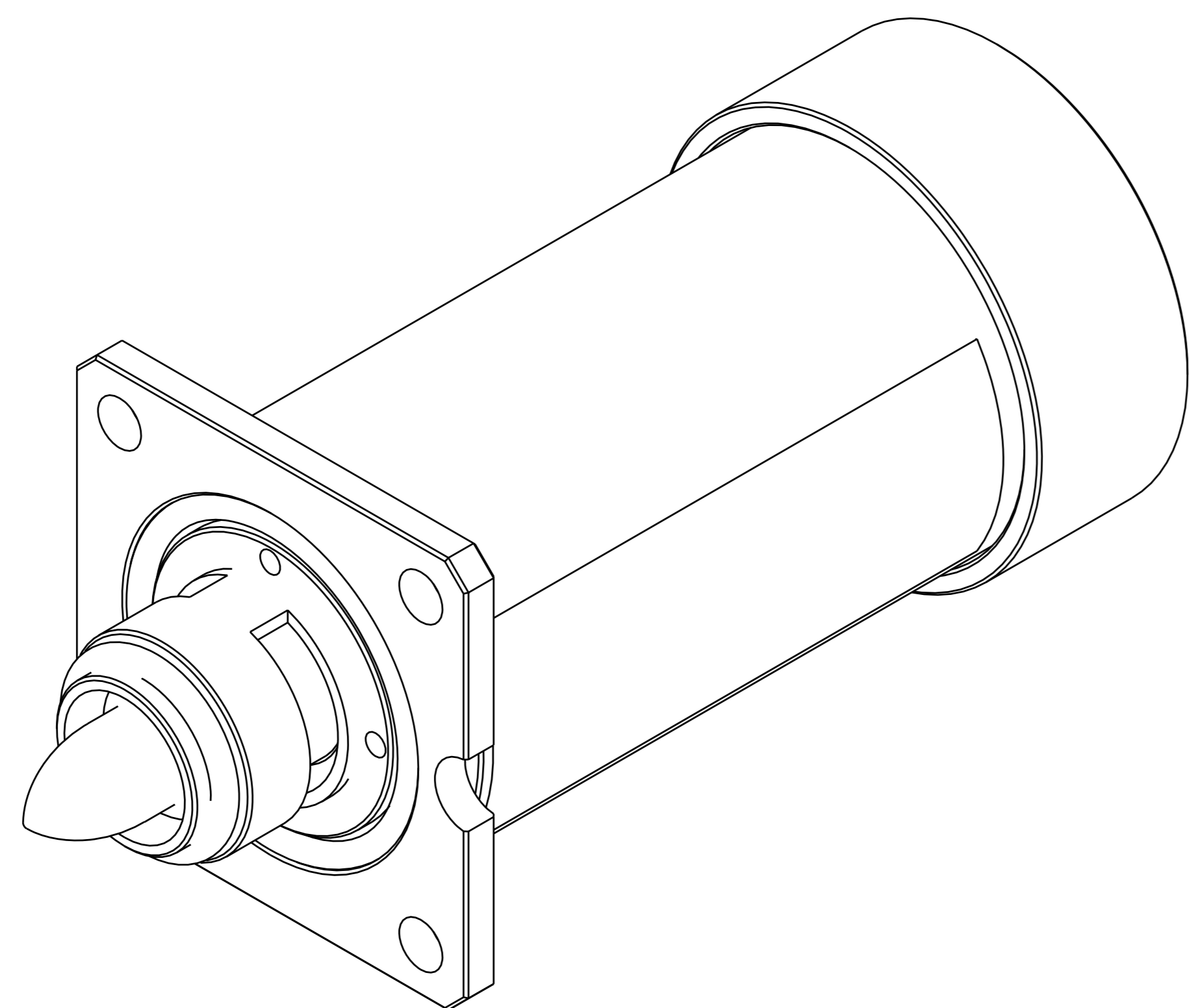
A

B

C

D

E

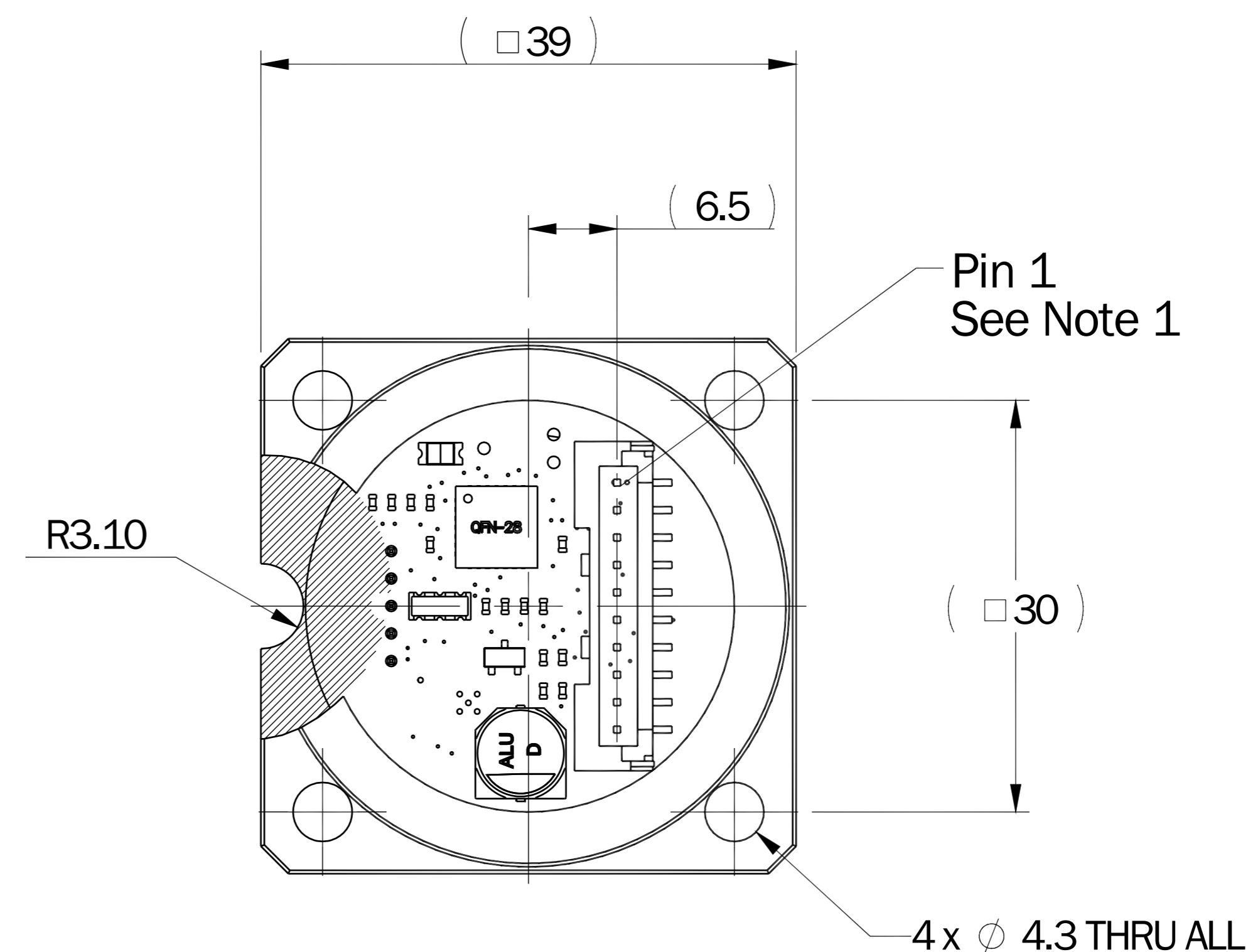
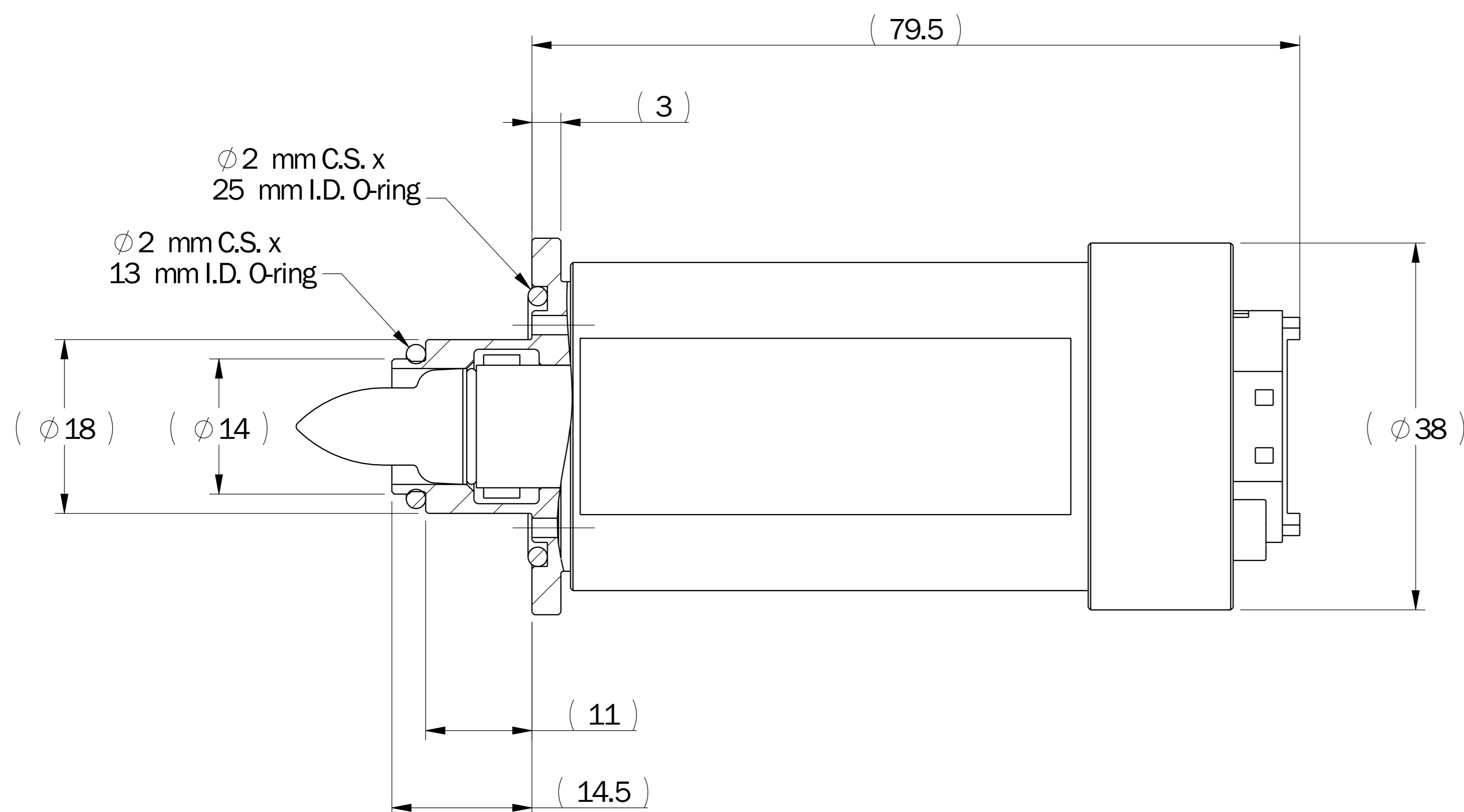


Notes:

1. Electrical Pinouts for Connector are as follows:

- Pin 01: VDD (+5V)
- Pin 02: VSS (DGND)
- Pin 03: MOSI (SPI Data In)
- Pin 04: SCLK (SPI Clock)
- Pin 05: MISO (SPI Data Out)
- Pin 06: SS (SPI Slave Select)
- Pin 07: DRVSLP (Coil Drive Disable)
- Pin 08: STATUS (Valve Status)
- Pin 09: COIL SUPPLY + (+10V)
- Pin 10: COIL SUPPLY - (PGND)

• Connector PN: JST PA SERIES BM10B-PASS



Standard Third Angle Projection  
 Units: mm  
 Unless specified otherwise:  
 Refer to ISO 2768-mK for tolerances  
 Break Sharp Edges

|   |             |                    |        |
|---|-------------|--------------------|--------|
| Drawing Name: RCV-075-SPI poppet seat valve |             | Drawn: B Grabowski |        |
| Material: N/A                               | Finish: N/A | Date: 10/01/13     | Rev: A |
| Model: Custom                               |             | Project: PR-1000A  |        |
| Size: A                                     | Scale: 1:1  | Sheet 1 of 1       |        |

**ENFIELD TECHNOLOGIES**  
 35 Nutmeg Drive  
 Trumbull, CT 06611  
 (203) 375-3100  
 www.enfieldtech.com  
This information is proprietary to Enfield Technologies and may be further protected by trademarks, copyrights, or patents.

5

4

3

2

1