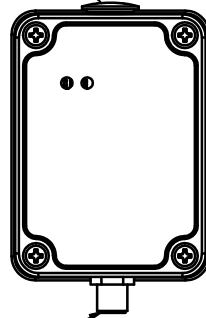


Micro USB 2.0 B female connector (see note 4)

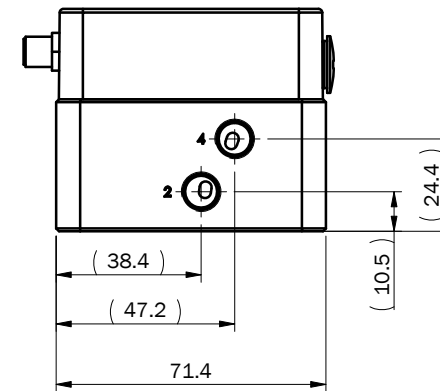
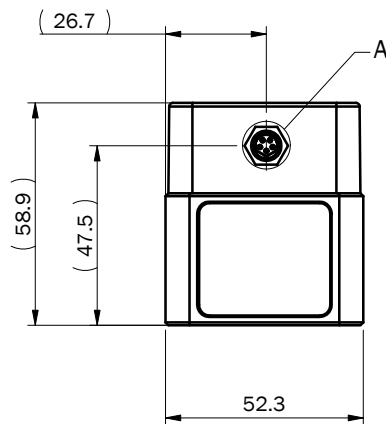
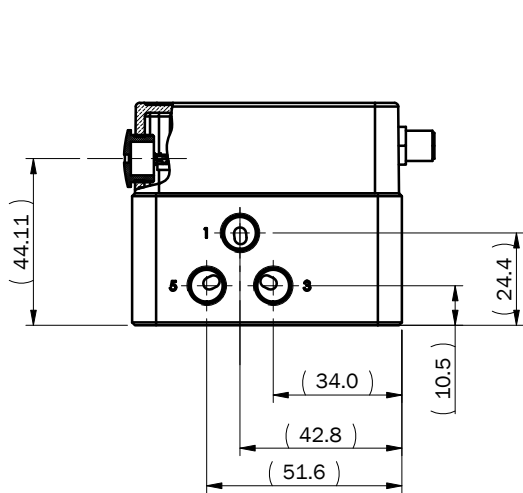
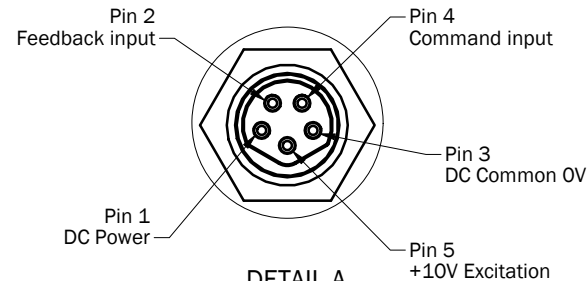
DCN: DCN-0396 Change: - Released to production

Changed: 12/05/2018 Eng B

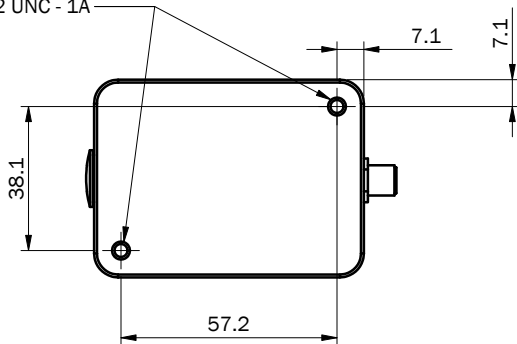
Approved: 12/10/18 J Gamble



M8X1.0 Male contacts circular connector (see note 2)



Mounting screws 8-32 UNC - 1A



Note:

1. Refer to S2-005 operating manual for wiring setup & operating procedures
2. M8 x 1.0 mm connector compatible with Enfield Technologies Cable: A-CBL-M8-05P-F-XXXX
3. All pneumatic connections 1/8 NPTF
4. Remove cover to attach USB programming cable. USB connector compatible with Enfield Technologies Cable: A-CBL-SAUB-0405P-MM-XXXX

Standard Third Angle Projection
Units: mm
Unless specified otherwise: Refer to ISO 2768-mK for tolerances
Break Sharp Edges

Drawing Name: S2-005-U-04 - OUTL Integrated Controller Valve		Material: N/A		Finish: N/A		Drawn: Eng B	
Date: 12/04/18		Rev: A		Model: V25-S2		Project: PR-1058E	
Size: A		Scale: 1:2		Sheet 1 of 1			

ENFIELD TECHNOLOGIES
35 Nutmeg Drive
Trumbull, CT 06611
(203) 375-3100
www.enfieldtech.com
This information is proprietary to Enfield Technologies and may be further protected by trademarks, copyrights, or patents.