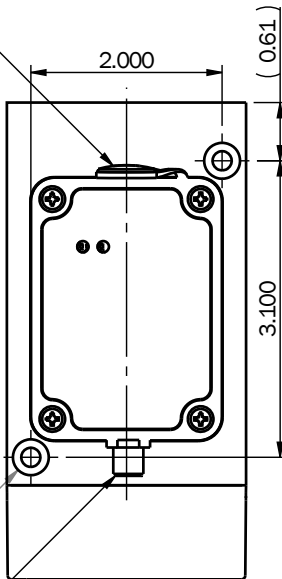


Micro USB B - Female connector (see note 5)



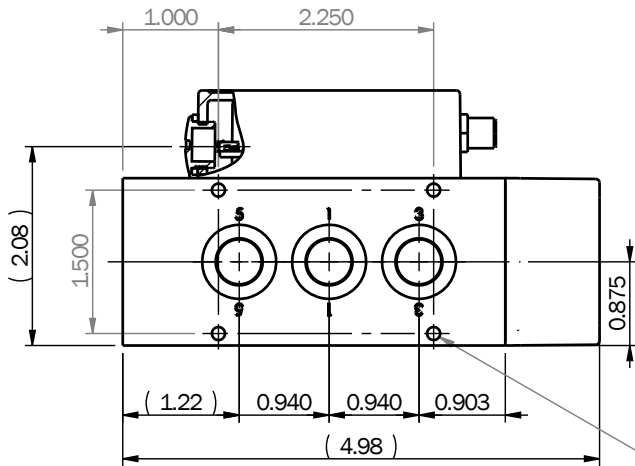
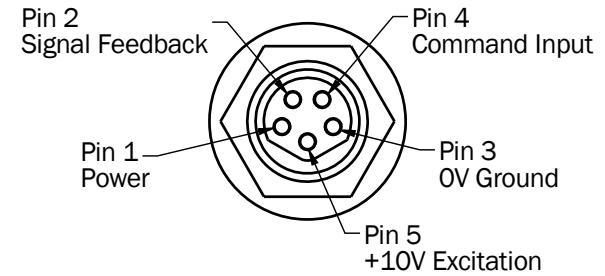
2 x  $\phi$  0.200 THRU ALL  
 $\square$   $\phi$  0.375  $\nabla$  0.250  
 See Note 4

M8X1.0 Male contacts circular connector (see note 2)

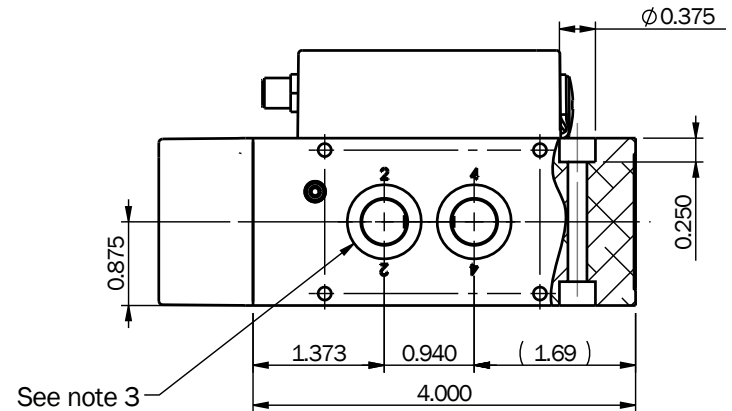
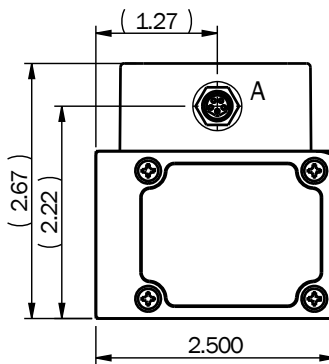
Note:

1. Refer to S2 operating manual for wiring setup & operating procedures
2. M8 x 1.0 mm connector compatible with Enfield Technologies Cable: A-CBL-M8-05P-F-XXXX
3. All pneumatic connections 1/4 NPTF
4. Recommended mounting screws: 10-32 x 2.00" SHCS
5. USB connector compatible with Enfield Technologies Cable: A-CBL-SAUB-0405P-MM-XXXX

DETAIL A  
 SCALE 2 : 1



4 x  $\phi$  0.136  $\nabla$  0.200  
 8-32 UNC  $\nabla$  0.150  
 both sides



See note 3

Standard Third Angle Projection  
 Units: inch  
 Unless specified otherwise:  
 0.00 =  $\pm$ 0.010  
 0.000 =  $\pm$ 0.005  
 0.0000 =  $\pm$ 0.0005  
 Angles =  $\pm$ 0.5°  
 Break Sharp Edges

Drawing Name: S2-025-U-04-OUTL		USB Servo-pneumatic position control system	
Material: N/A	Finish: N/A	Drawn: B Nagel	Date: 03/19/13
		Rev: B	Model: S2
		Project: PR-1014A	Size: A
		Scale: 1:2	Sheet 1 of 1

**ENFIELD TECHNOLOGIES**  
 35 Nutmeg Drive  
 Trumbull, CT 06611  
 (203) 375-3100  
 www.enfieldtech.com  
This information is proprietary to Enfield Technologies and may be further protected by trademarks, copyrights, or patents.