

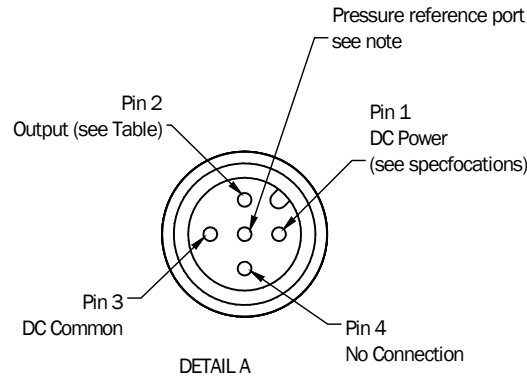
Specifications:

DC Power: 13 ...32 VDC  
 Overpressure (without damage to sensor): 4 x Max Rated Pressure  
 Accuracy:  $\pm 0.25\%$  FS @ 20°C  
 Error (typ): 0°C to 50°C (32°F to 122°F)  $\pm 0.6\%$  FS  $\leq 2$  bar,  $\pm 0.3\%$  FS > 2 bar  
 -10°C to 80°C (-14°F to 176°F)  $\pm 0.8\%$  FS  $\leq 2$  bar,  $\pm 0.4\%$  FS > 2 bar  
 Pressure Port Torque: 2-3 turns from finger tight, wrench tighten 2-3 turns  
 Body and housing are 316 stainless steel

Compatible with Enfield Technologies Cable: A-CBL-M8M12-0304P-FF-0050

The sensor references atmospheric pressure through the electrical connector  
 For maximum accuracy, the mating M12 connector should not be fully sealed

Supplied with calibration certificate and protective cover over pressure port (not shown)



M12x1 (4-Pin) Male Connector (A-Coded)

SCALE 2 : 1

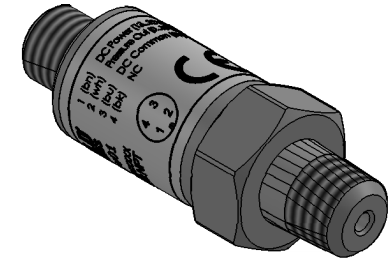
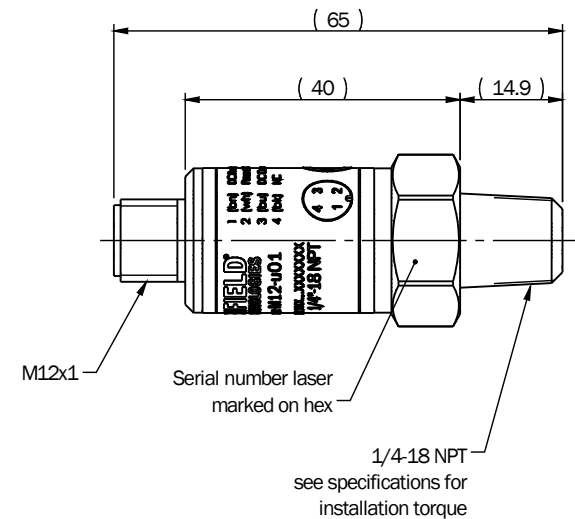
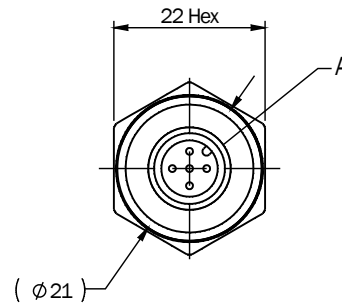


Table 1

Part Number	Output	Pressure range
SP4-v01B-M12-u01	0...10 Vdc	vac...+1 bar
SP4-v06B-M12-u01	0...10 Vdc	vac...+6 bar
SP4-v10B-M12-u01	0...10 Vdc	vac...+10 bar
SP4-gB10-M12-u01	0...10 Vdc	0...+100 mB
SP4-gB35-M12-u01	0...10 Vdc	0...+350 mB
SP4-g04B-M12-u01	0...10 Vdc	0...+4 bar
SP4-g06B-M12-u01	0...10 Vdc	0...+6 bar
SP4-g10B-M12-u01	0...10 Vdc	0...+10 bar

Pressure:  
 g: Gauge pressure  
 v: Compound Pressure - Both positive and negative (vacuum)pressure, low end (- 1 Bar)



Standard Third Angle Projection Units: mm Unless specified otherwise: Refer to ISO 2768-mK for tolerances <input checked="" type="checkbox"/> Break Sharp Edges	Drawing Name: <b>SP4-XXXX-M12-u01-OUTL</b> <b>SP4 Pressure Sensor</b>		<b>ENFIELD TECHNOLOGIES</b> 35 Nutmeg Drive Trumbull, CT 06611 (203) 375-3100 www.enfieldtech.com <small>This information is proprietary to Enfield Technologies and may be further protected by trademarks, copyrights, or patents.</small>		
	Material: N/A	Finish: N/A		Drawn: J Gamble	
				Date: 01/06/23	Rev: A
				Model:	Project:
		Size: A	Scale: 1:1	Sheet 1 of 1	