

5

4

3

2

1

A

B

C

D

E

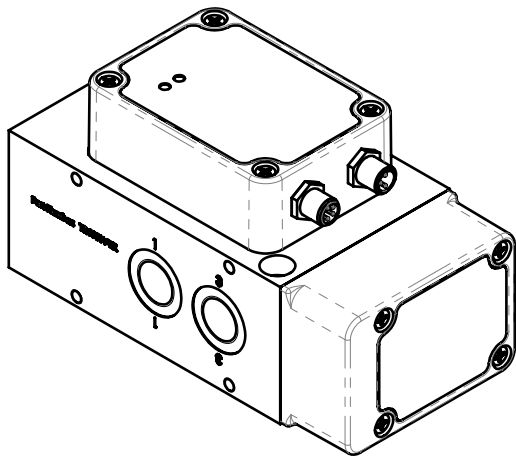
A

B

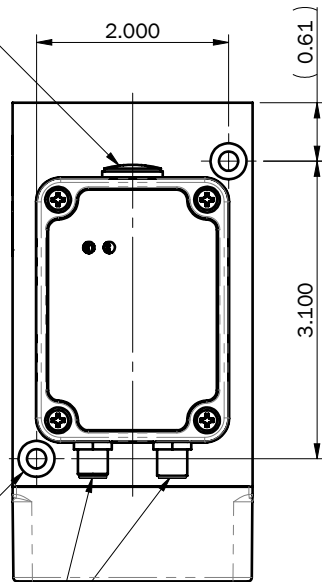
C

D

E



Micro USB B - Female connector (see note 5)

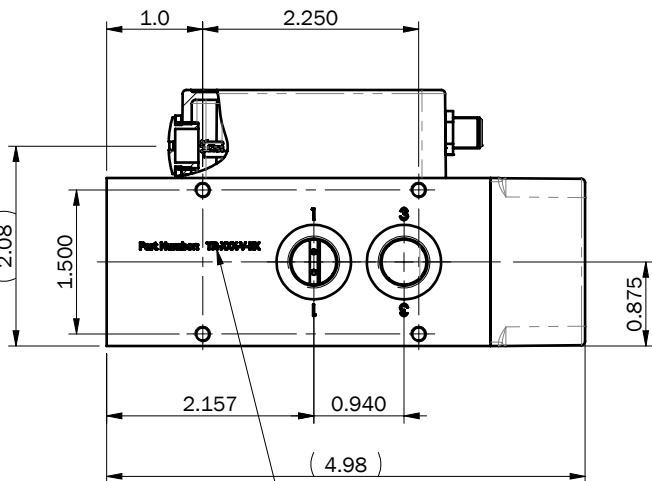
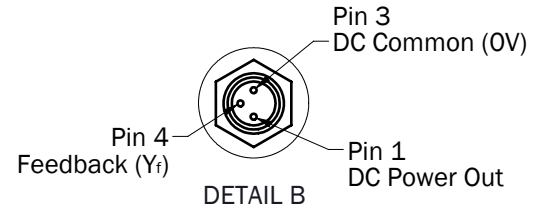
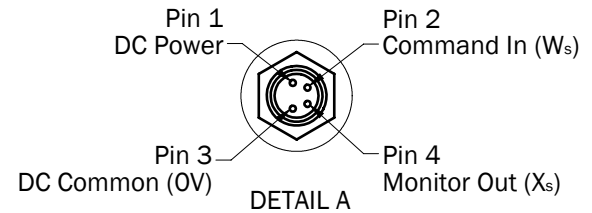
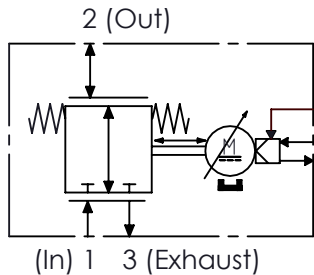


2 x \varnothing 0.200 THRU ALL
 \varnothing 0.375 ∇ 0.250
 See Note 4

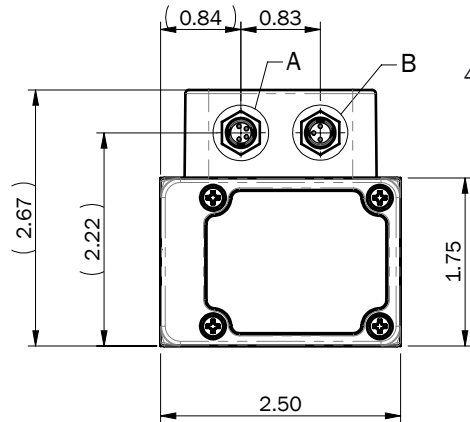
M8X1.0 Male contacts circular connector (see note 2)

Note:

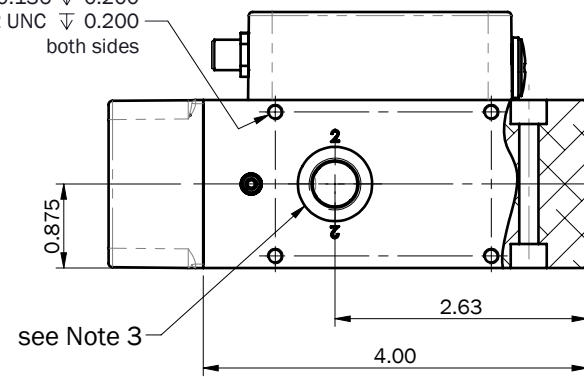
1. Refer to operating manual for wiring, setup & operating procedures
2. M8 x 1.0 mm connector compatible with Enfield Technologies Cable: A-CBL-M8-04P-F-XXXX (4 Pin) and A-CBL-M8-03P-F-XXXX (3 Pin)
3. All pneumatic connections 1/4 NPTF
4. Recommended mounting screws: 10-32 x 2.0" SHCS
5. USB connector compatible with Enfield Technologies Cable: A-CBL-Saub-0405P-MM-XXXX



Part number permanently marked



4 x \varnothing 0.136 ∇ 0.200
 8-32 UNC ∇ 0.200
 both sides



see Note 3

Standard Third Angle Projection
 Units: inch
 Unless specified otherwise:
 0.00 = \pm 0.010
 0.000 = \pm 0.005
 0.0000 = \pm 0.0005
 Angles = \pm 0.5°
 Break Sharp Edges

Drawing Name: TR-010-V-EX-OUTL		Material:		Finish:	
USB Vacuum Range Electronic Pressure Regulator		Date: 06/15/17		Rev: C01	
Model: V25-EPR		Project: PR-1045D		Size: A Scale: 1:2 Sheet 1 of 1	

ENFIELD TECHNOLOGIES
 35 Nutmeg Drive
 Trumbull, CT 06611
 (203) 375-3100
 www.enfieldtech.com
This information is proprietary to Enfield Technologies and may be further protected by trademarks, copyrights, or patents.

5

4

3

2

1