

5

4

3

2

1

A

B

C

D

E

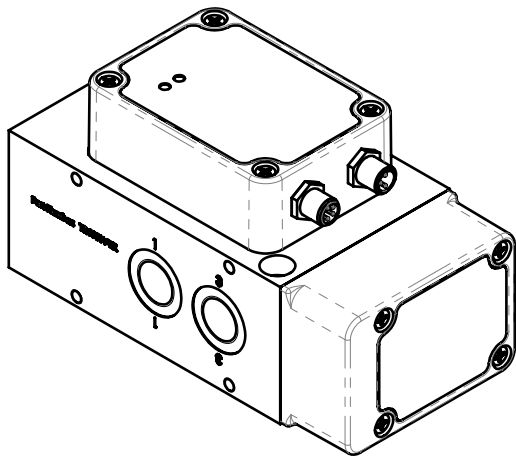
A

B

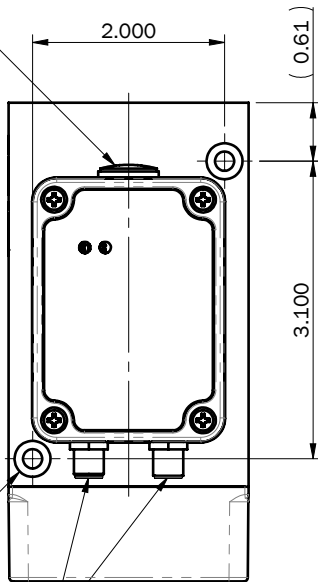
C

D

E



Micro USB B - Female connector (see note 5)

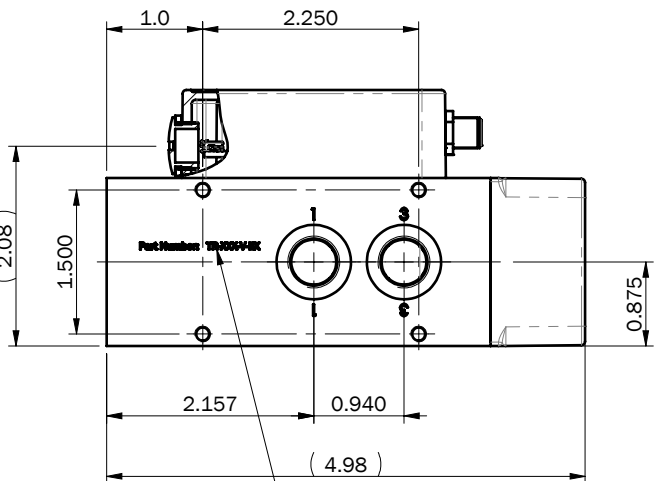
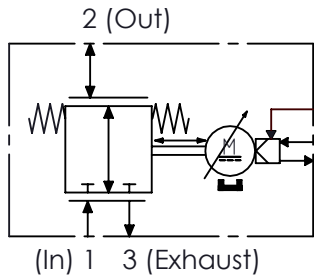
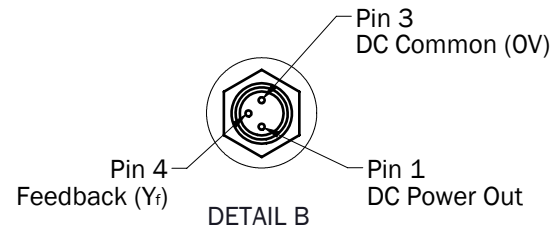
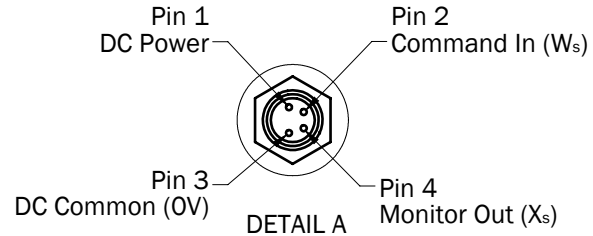


2 x Ø 0.200 THRU ALL  
Ø 0.375 ± 0.250  
See Note 4

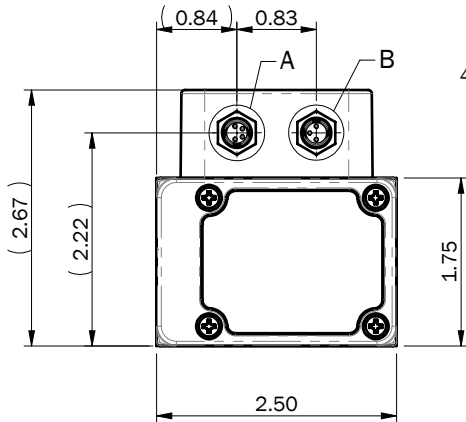
M8X1.0 Male contacts circular connector (see note 2)

Note:

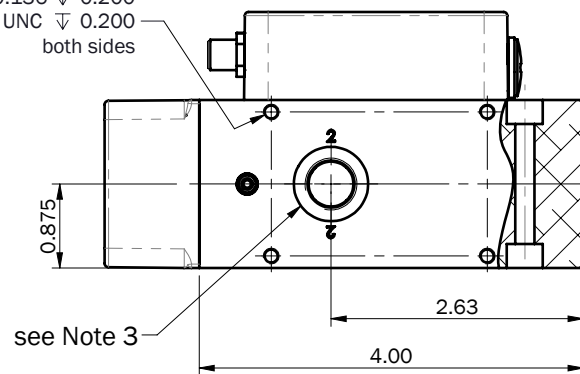
1. Refer to operating manual for wiring, setup & operating procedures
2. M8 x 1.0 mm connector compatible with Enfield Technologies Cable: A-CBL-M8-04P-F-XXXX (4 Pin) and A-CBL-M8-03P-F-XXXX (3 Pin)
3. All pneumatic connections 1/4 NPTF
4. Recommended mounting screws: 10-32 x 2.0" SHCS
5. USB connector compatible with Enfield Technologies Cable: A-CBL-SAUB-0405P-MM-XXXX



Part number permanently marked



4 x Ø 0.136 ± 0.200  
8-32 UNC ± 0.200  
both sides



Standard Third Angle Projection  
Units: inch  
Unless specified otherwise:  
0.00 = ±0.010  
0.000 = ±0.005  
0.0000 = ±0.0005  
Angles = ±0.5°  
Break Sharp Edges

Drawing Name: TR-025-V-EX-OUTL		Material:		Finish:	
USB Vacuum Range Electronic Pressure Regulator		Date: 06/15/17		Rev: C01	
Model: V25-EPR		Project: PR-1045D		Size: A	
Scale: 1:2		Sheet 1 of 1			

**ENFIELD TECHNOLOGIES**  
35 Nutmeg Drive  
Trumbull, CT 06611  
(203) 375-3100  
www.enfieldtech.com  
This information is proprietary to Enfield Technologies and may be further protected by trademarks, copyrights, or patents.

5

4

3

2

1